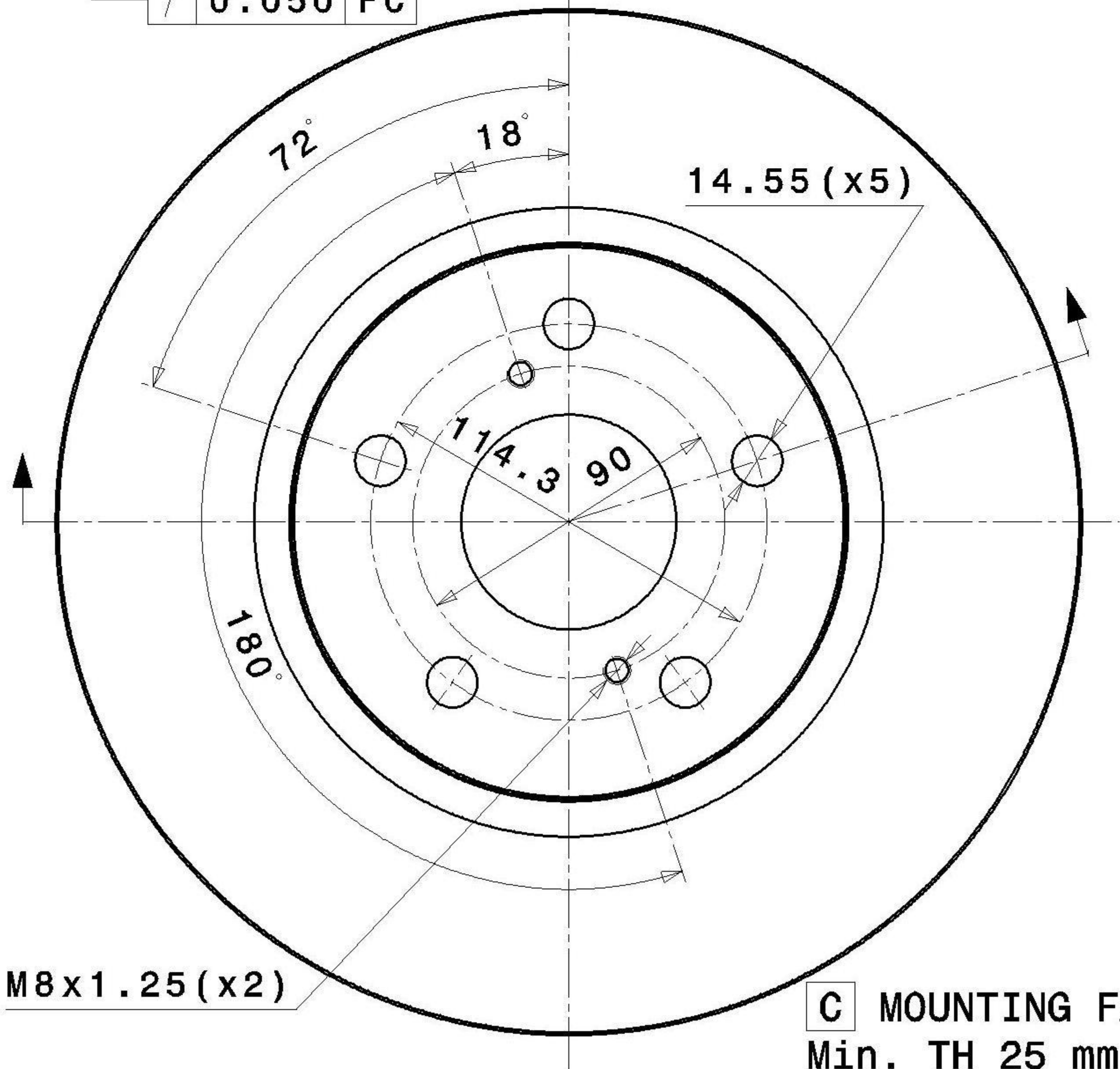


$\swarrow 0.050 \text{ FC}$



$M8 \times 1.25 (x2)$

**C** MOUNTING FACE

Min. TH 25 mm

Weight 7.3 Kg

Type DA