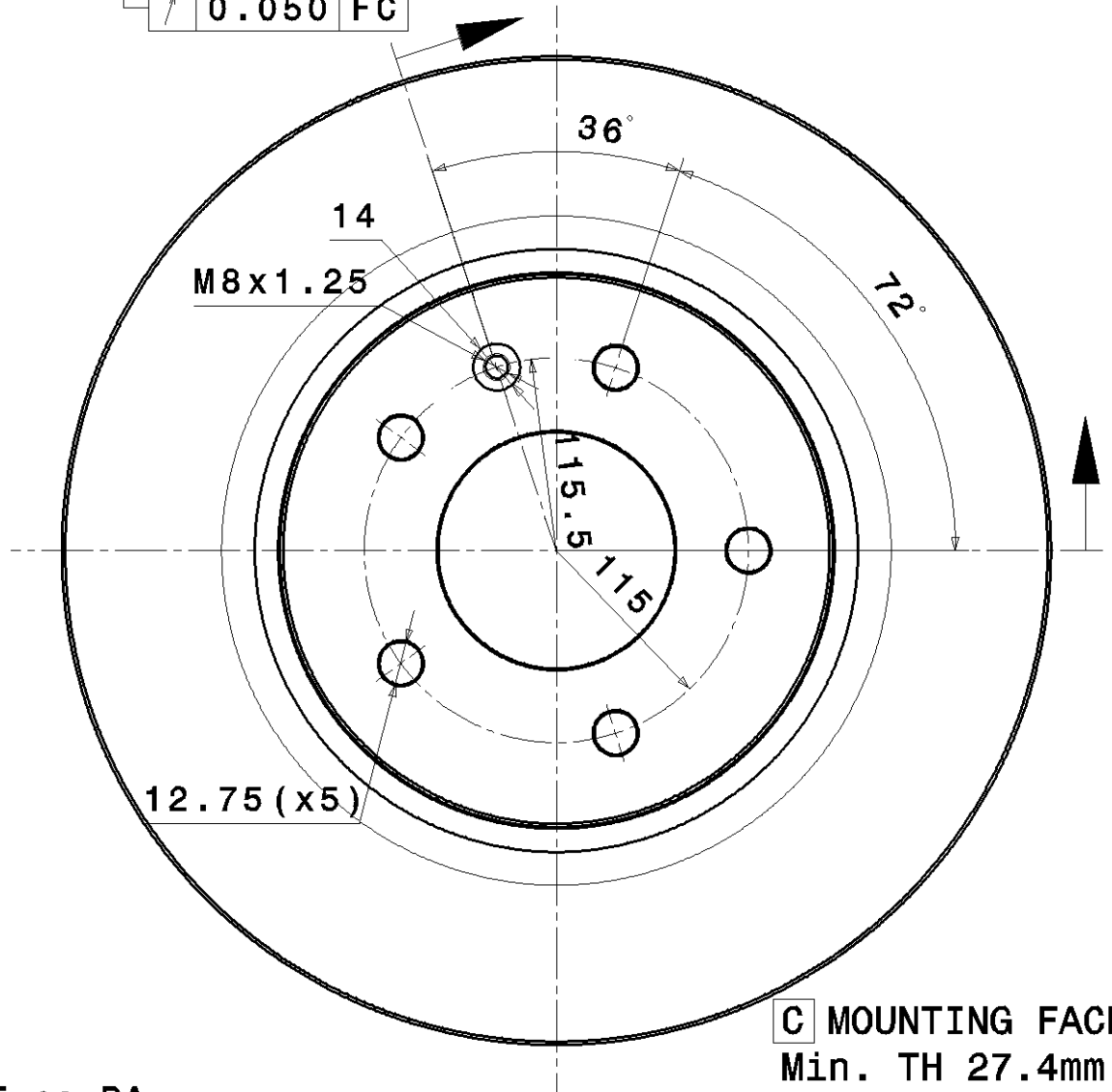


$\sqrt{\text{0.050 FC}}$



**C MOUNTING FACE**  
 Min. TH 27.4mm  
 Weight 8.6 Kg

Type DA