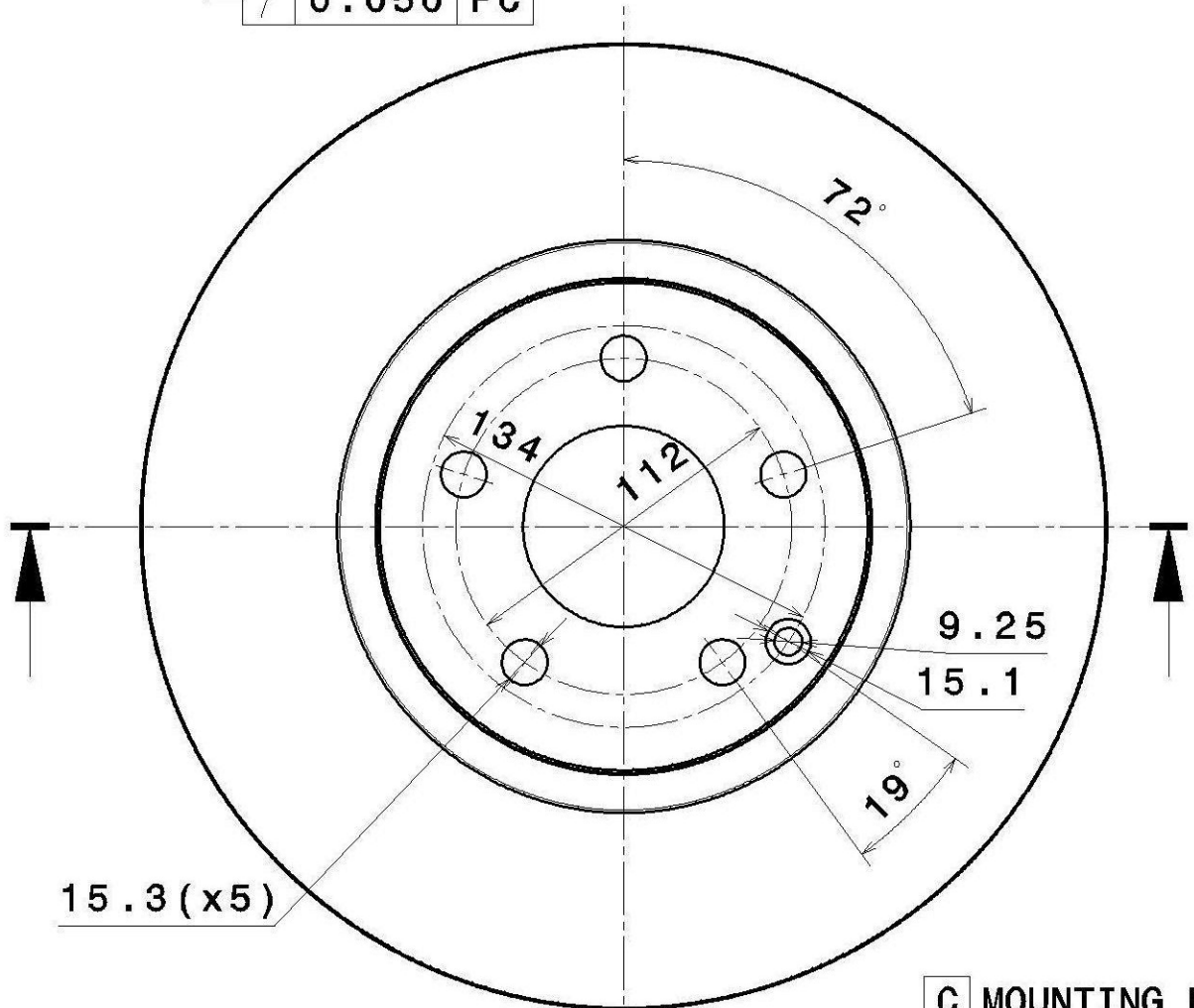


\nearrow 0.050 FC



C MOUNTING FACE
 Min. TH 29.4mm
 Weight 10.7 Kg

Type DA