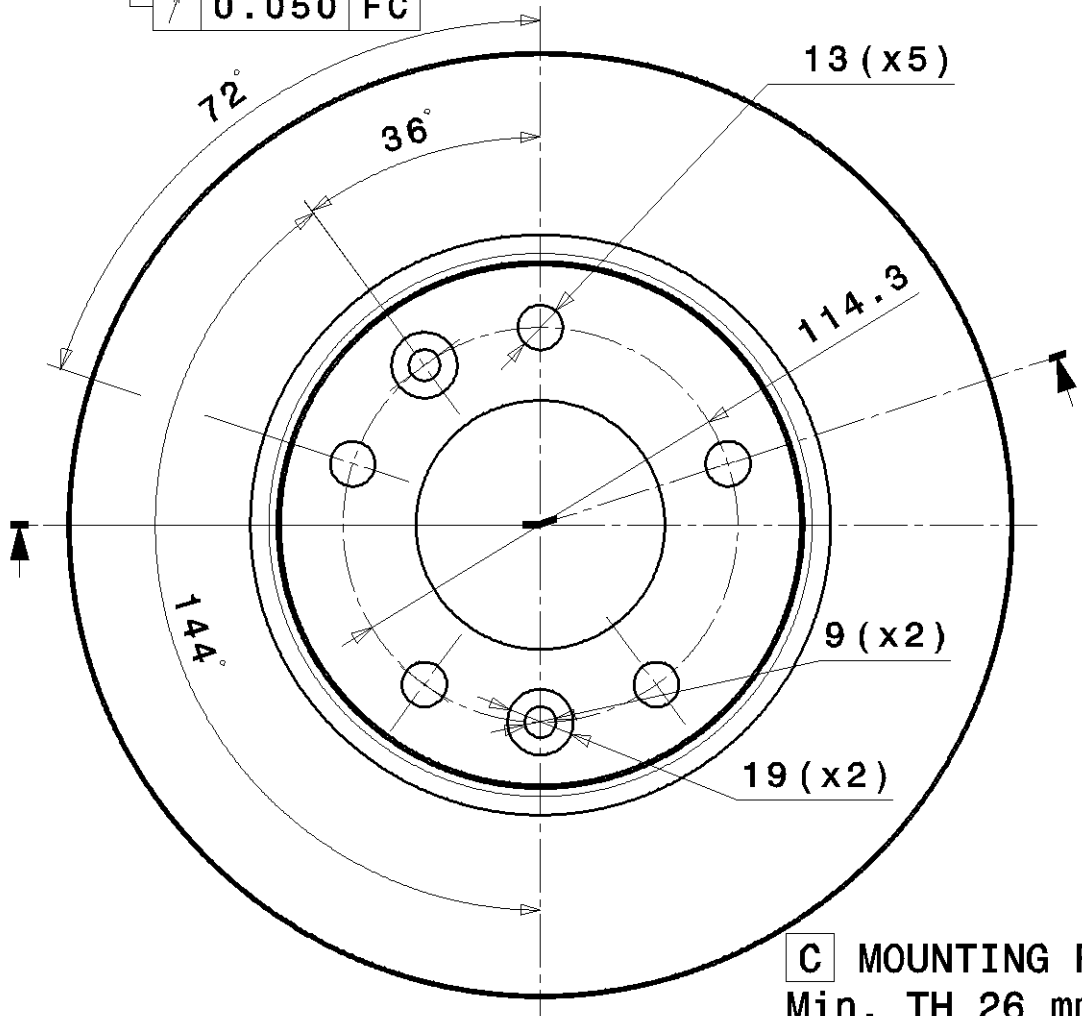


$\sqrt{\text{0.050 FC}}$



**C MOUNTING FACE**  
 Min. TH 26 mm  
 Weight 7.6 Kg

Type DA