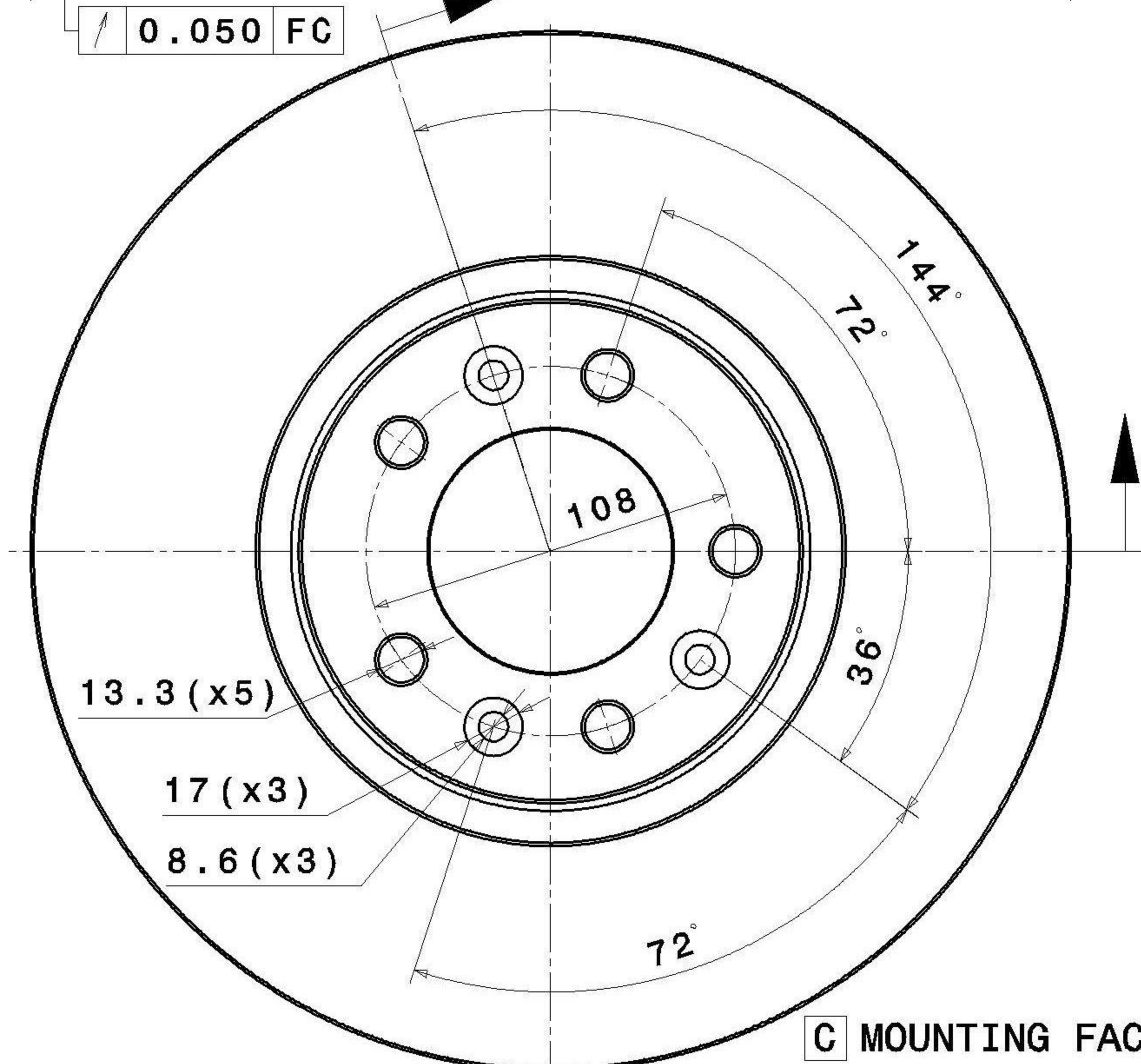


$\nearrow$  0.050 FC



Type DA

**C MOUNTING FACE**  
 Min. TH 26 mm  
 Weight 9.9 Kg