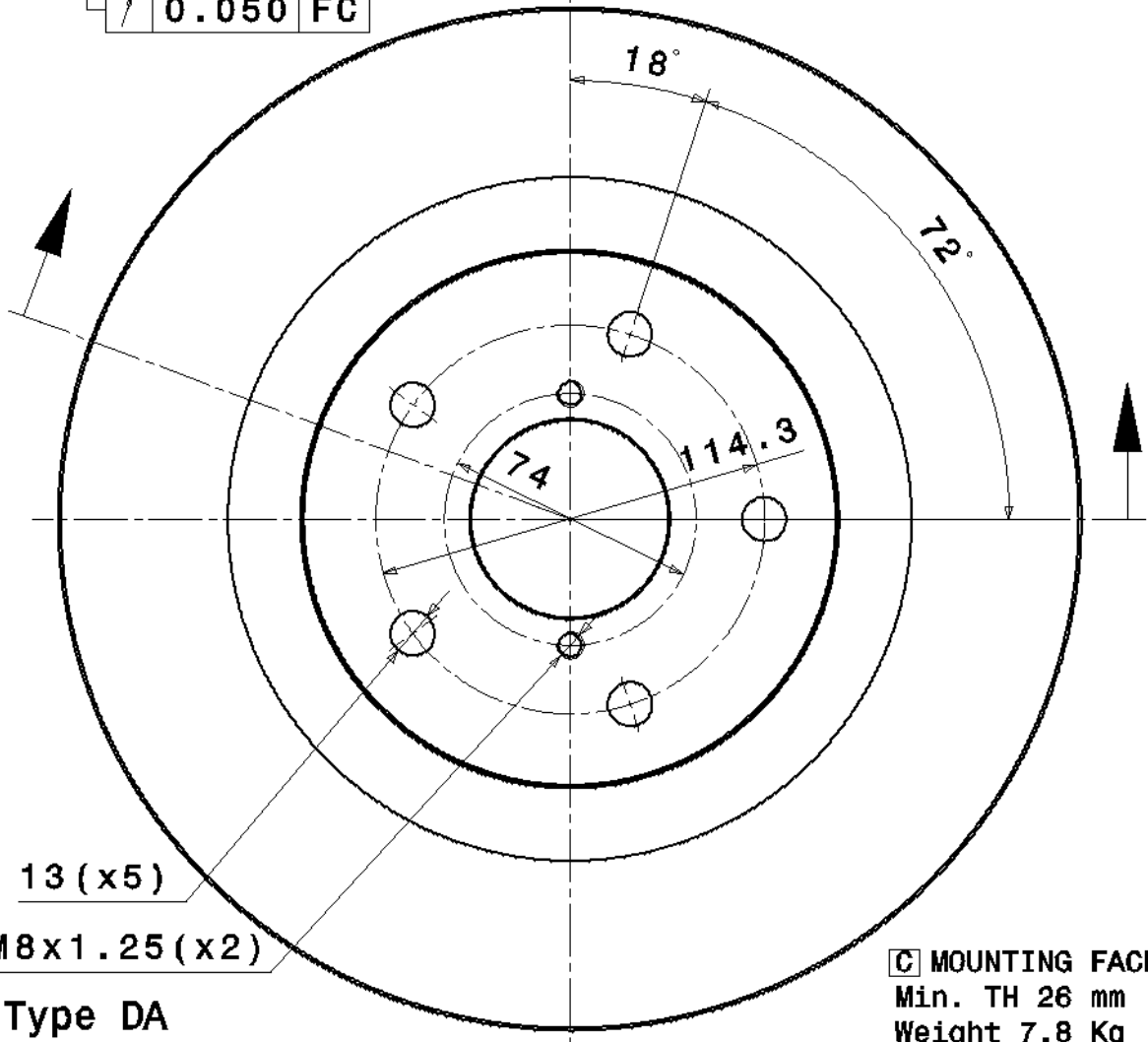


/	0.050	FC
---	-------	----



[C] MOUNTING FACE
 Min. TH 26 mm
 Weight 7.8 Kg

Type DA