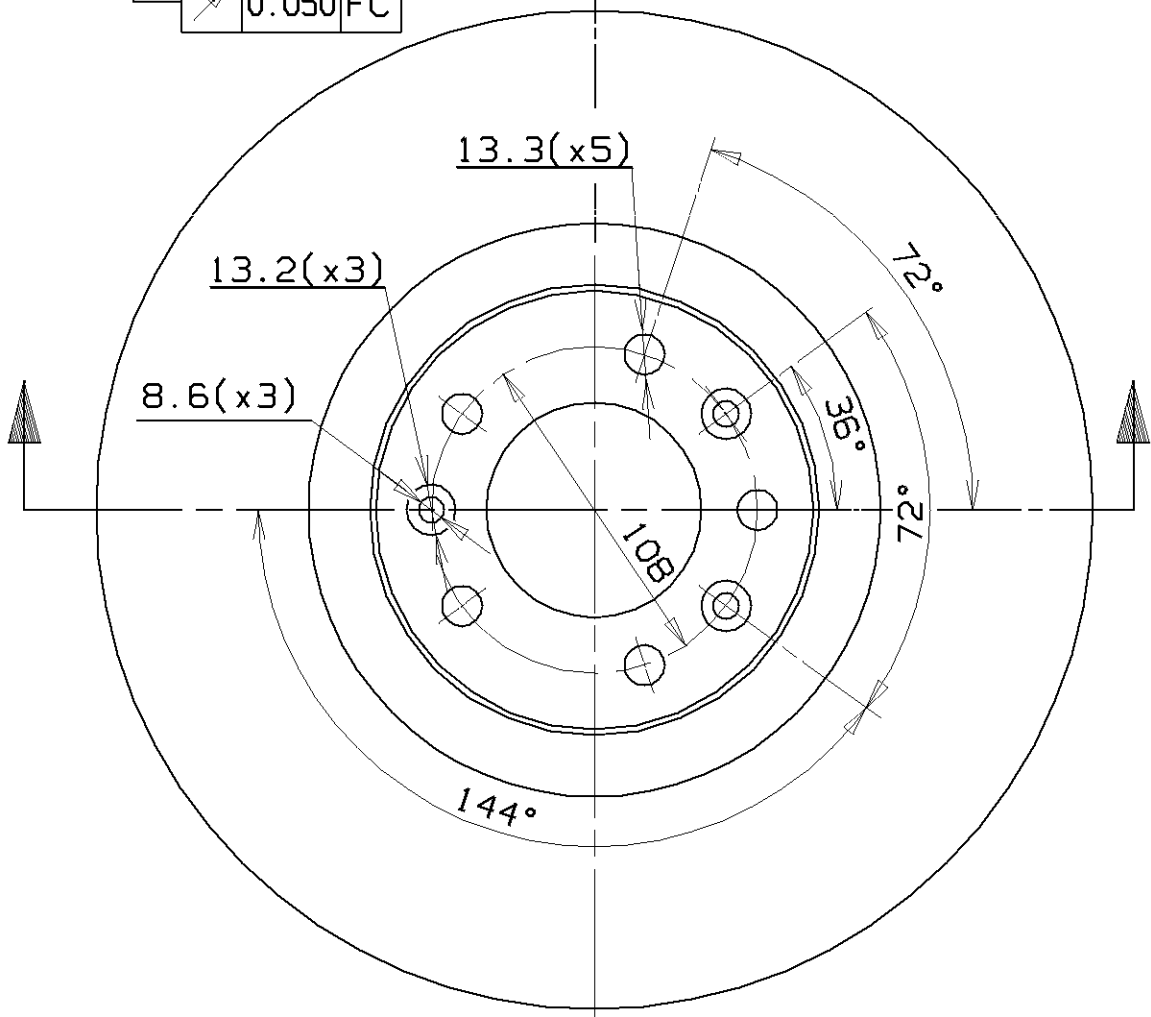


0.050 FC



**C** MOUNTING FACE

Min. TH 28 mm

Weight 10 Kg

Type DA