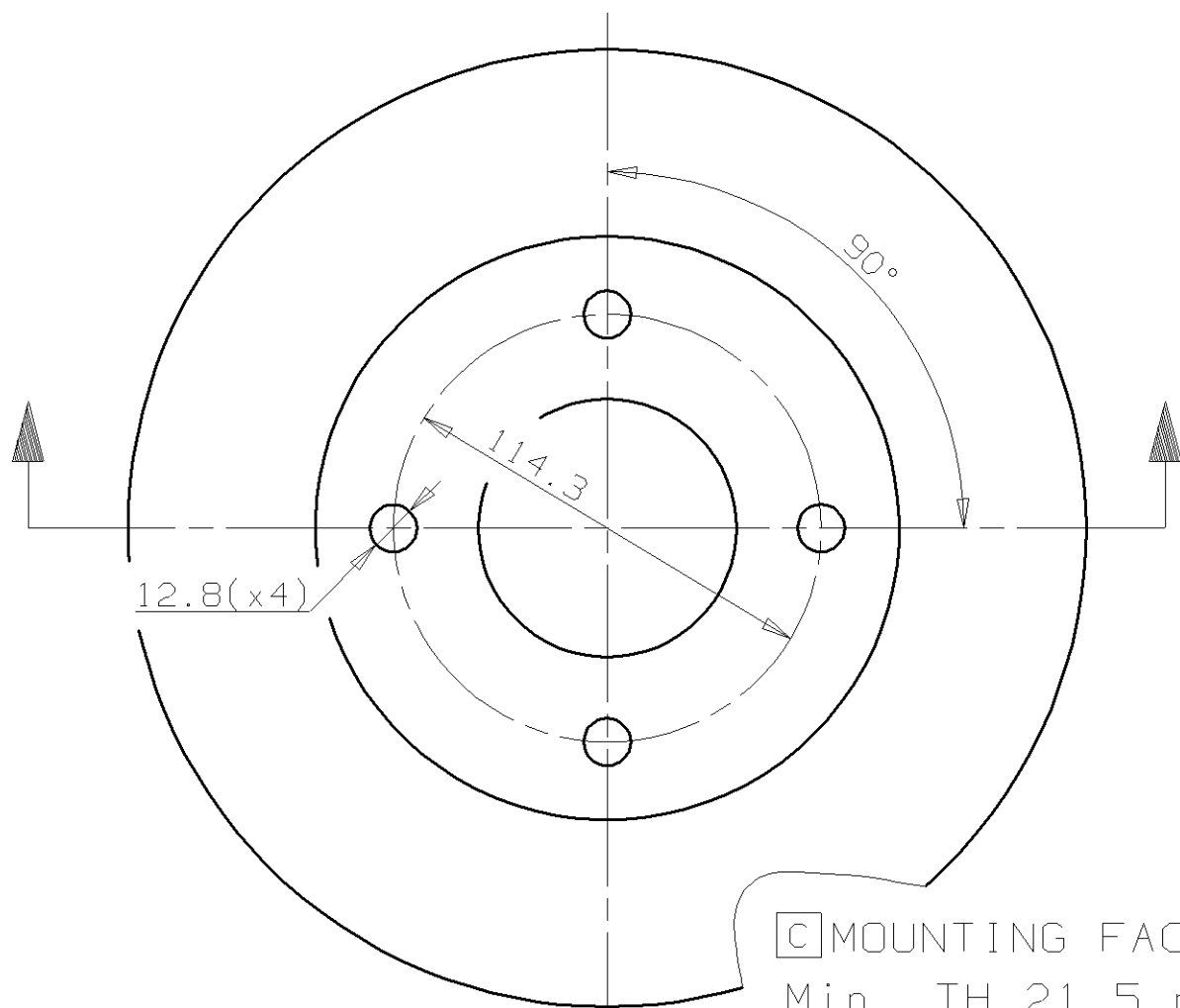


0.050 FC



[C] MOUNTING FACE  
 Min. TH 21.5 mm  
 Weight 5.1 Kg

Type DA