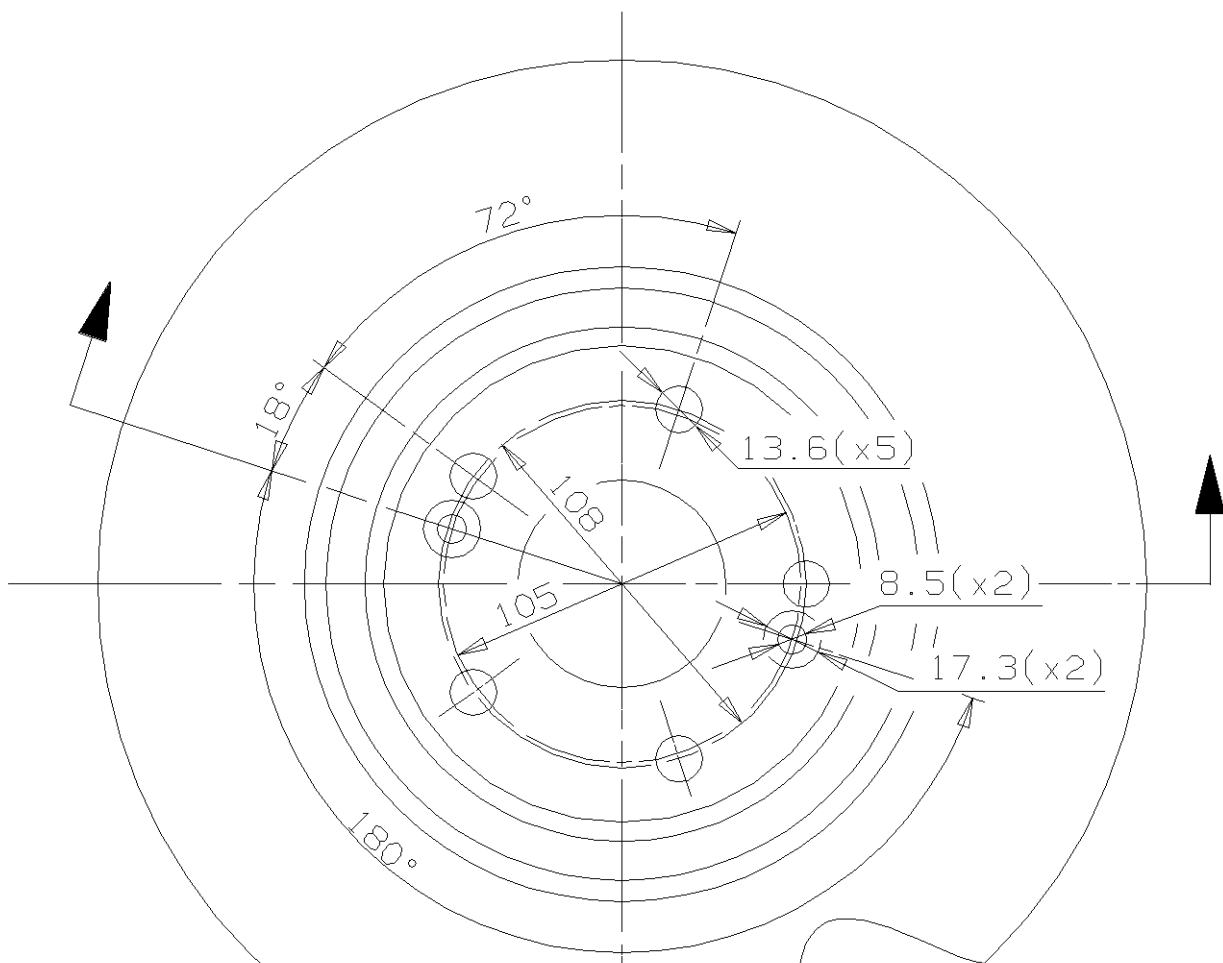


0.050 FC



MOUNTING FACE
 Min. TH 25.4 mm
 Weight 9.9 Kg

Type DA