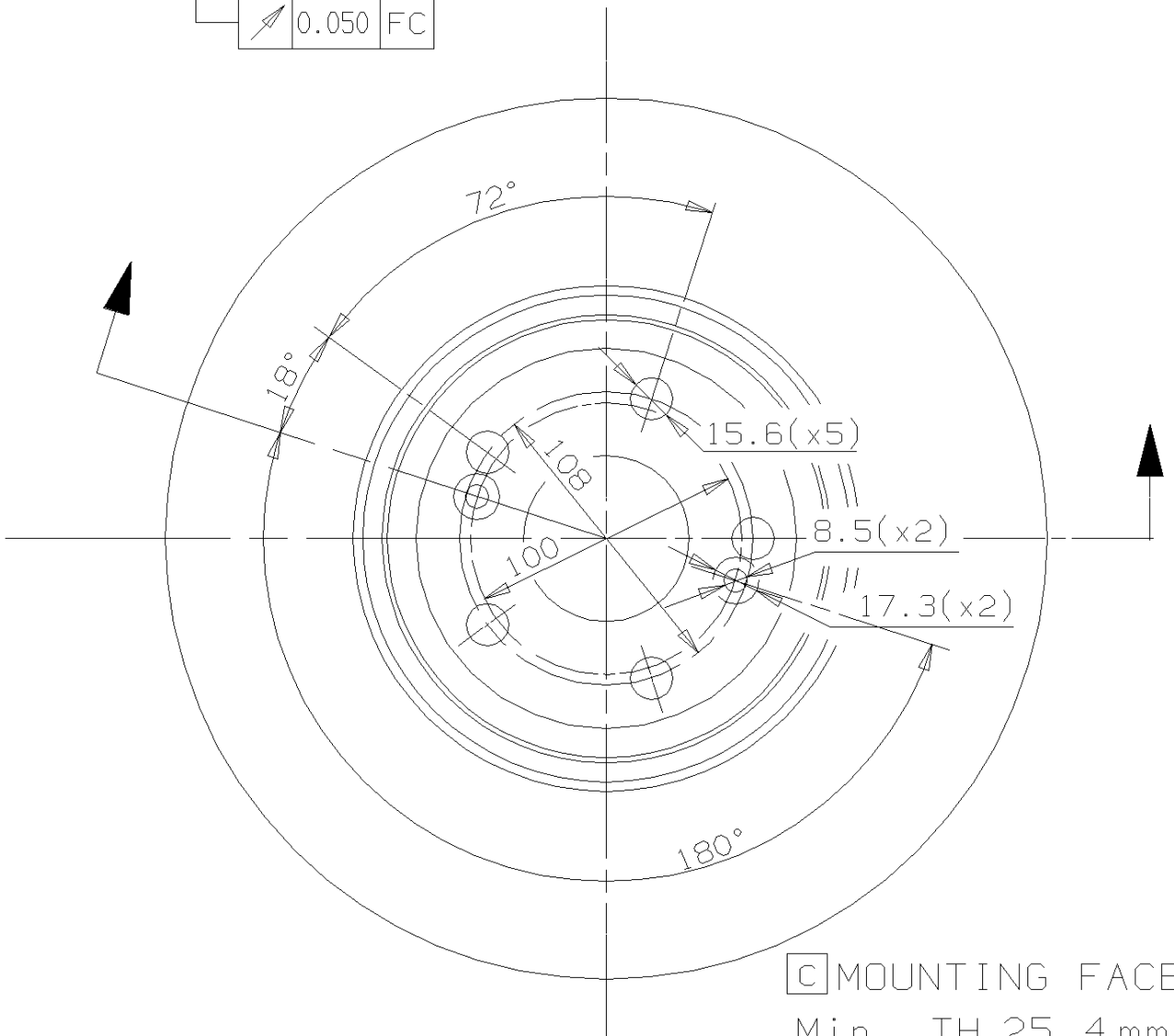


$\nabla$  0.050 FC



[C] MOUNTING FACE  
 Min. TH 25.4 mm  
 Weight 10.9 Kg

Type DA