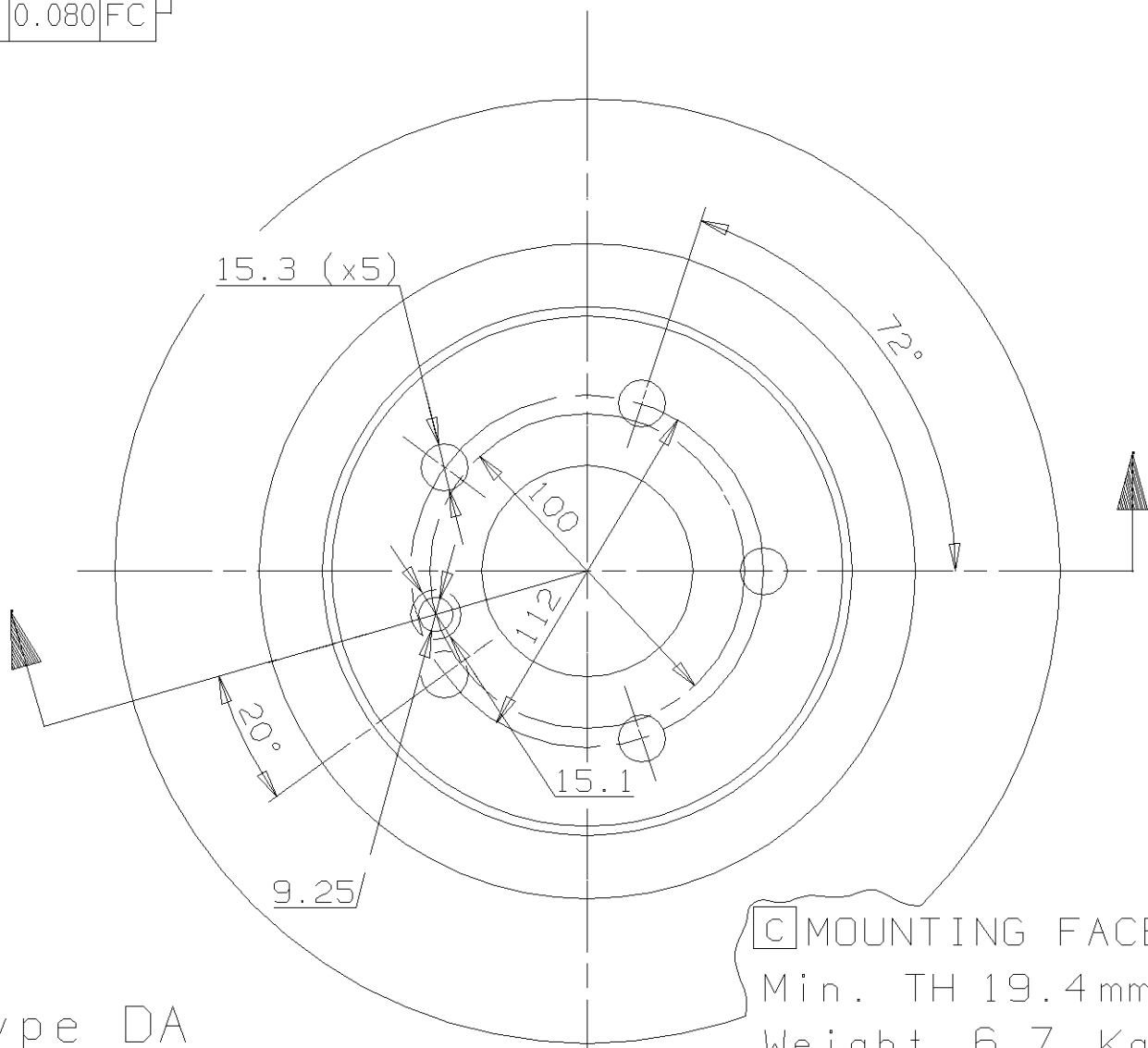


0.080 FC



C MOUNTING FACE  
 Min. TH 19.4mm  
 Weight 6.7 Kg

Type DA