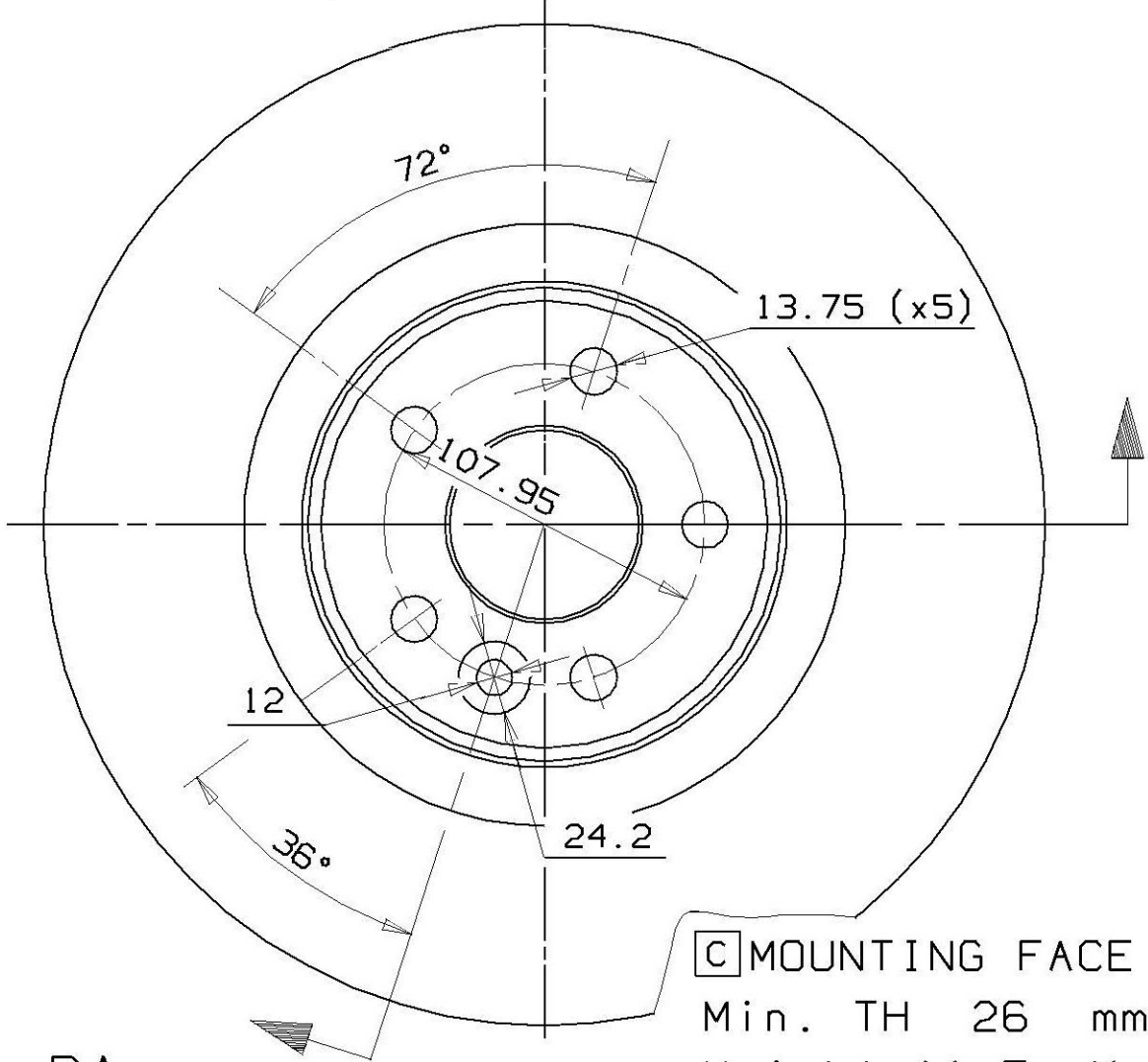


∇ 0.050 FC



C MOUNTING FACE
 Min. TH 26 mm
 Weight 11.5 Kg

Type DA