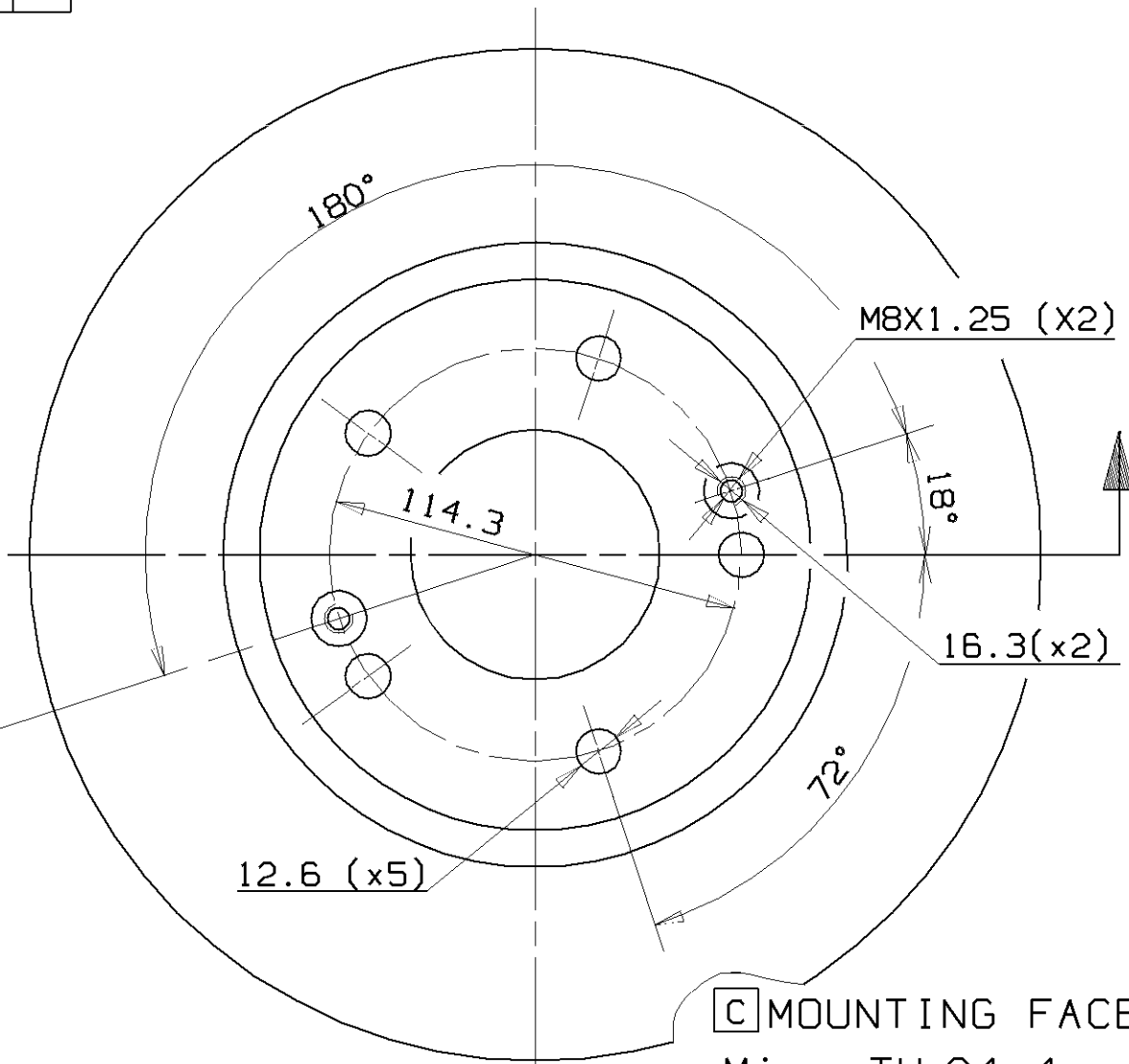


0.050FC



**C** MOUNTING FACE  
 Min. TH 24.4 mm  
 Weight 7.1 Kg

Type DA