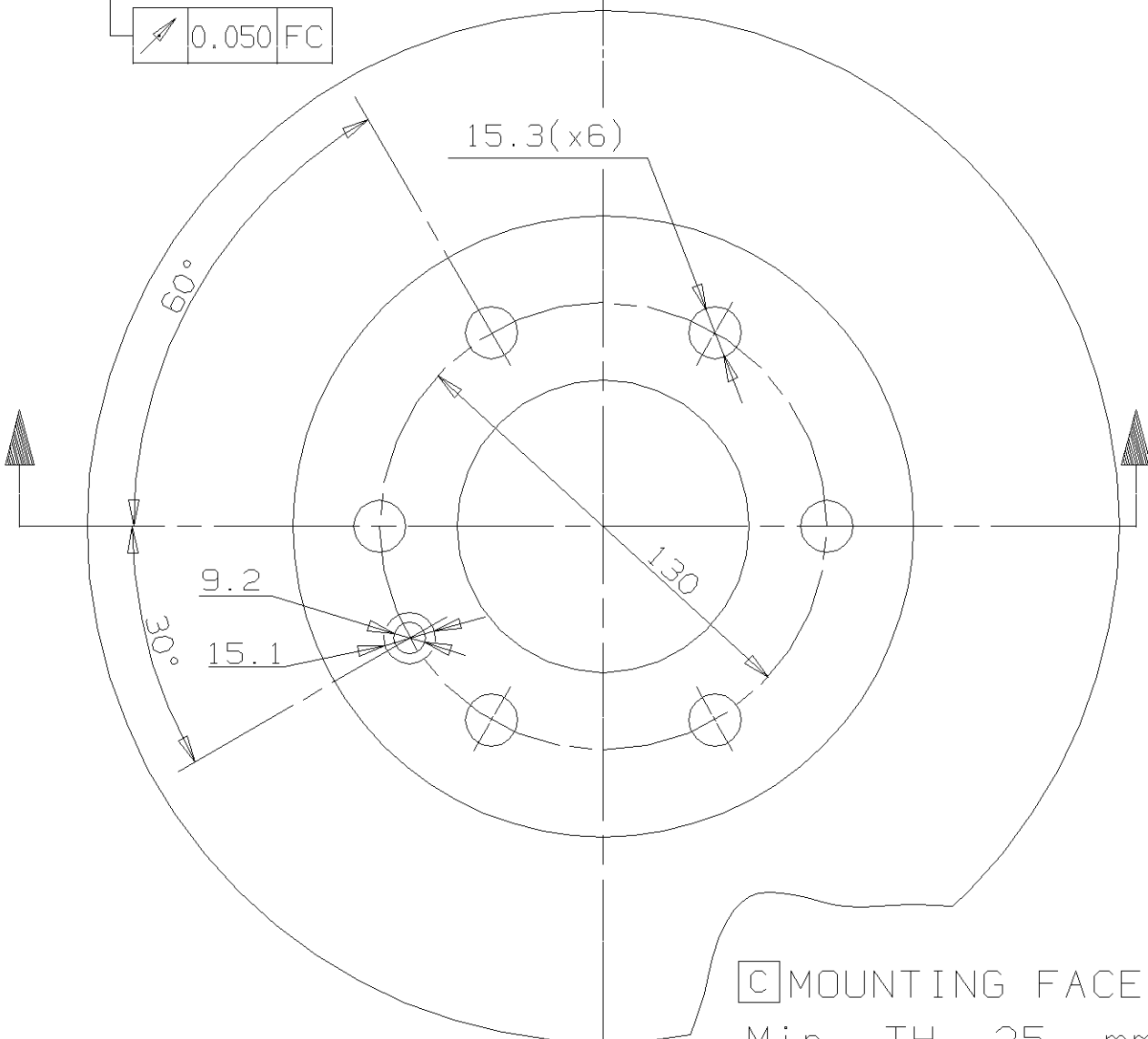


0.050 FC



C MOUNTING FACE  
 Min. TH 25 mm  
 Weight 9.2 Kg

Type DA