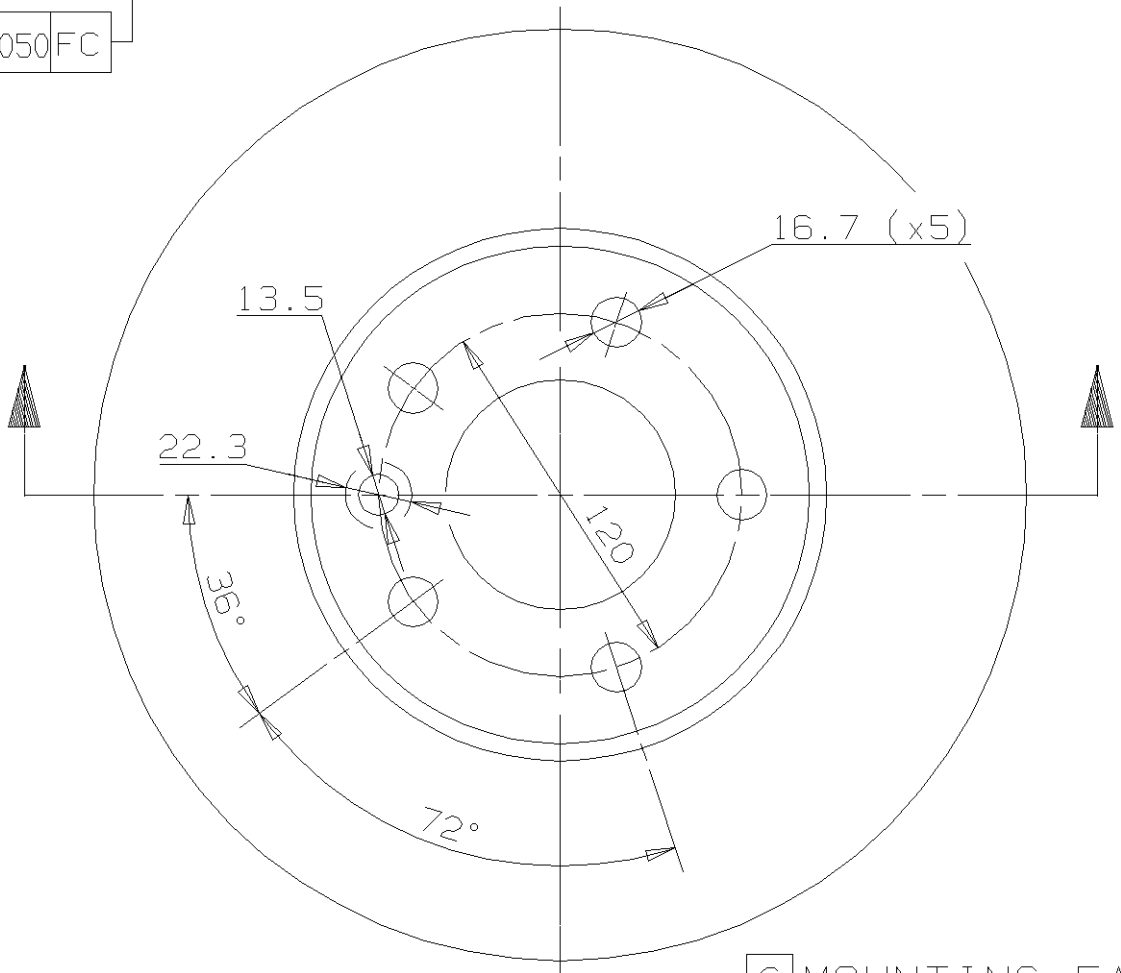


	0.050	FC
--	-------	----



C MOUNTING FACE
 Min. TH 25.5 mm
 Weight 10.3 Kg

Type DA