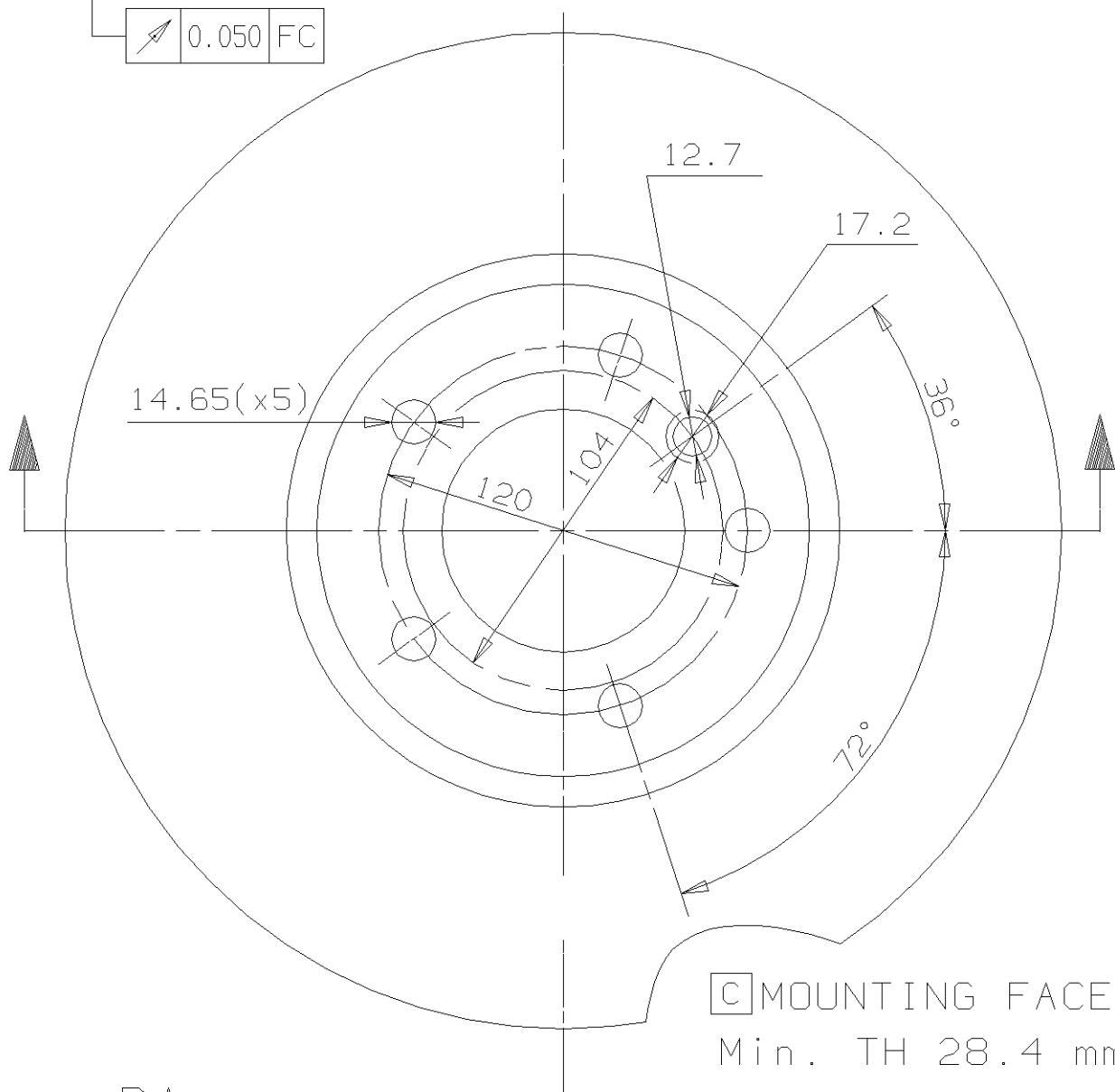


∇ 0.050 FC



C MOUNTING FACE
 Min. TH 28.4 mm
 Weight 10.5 Kg

Type DA