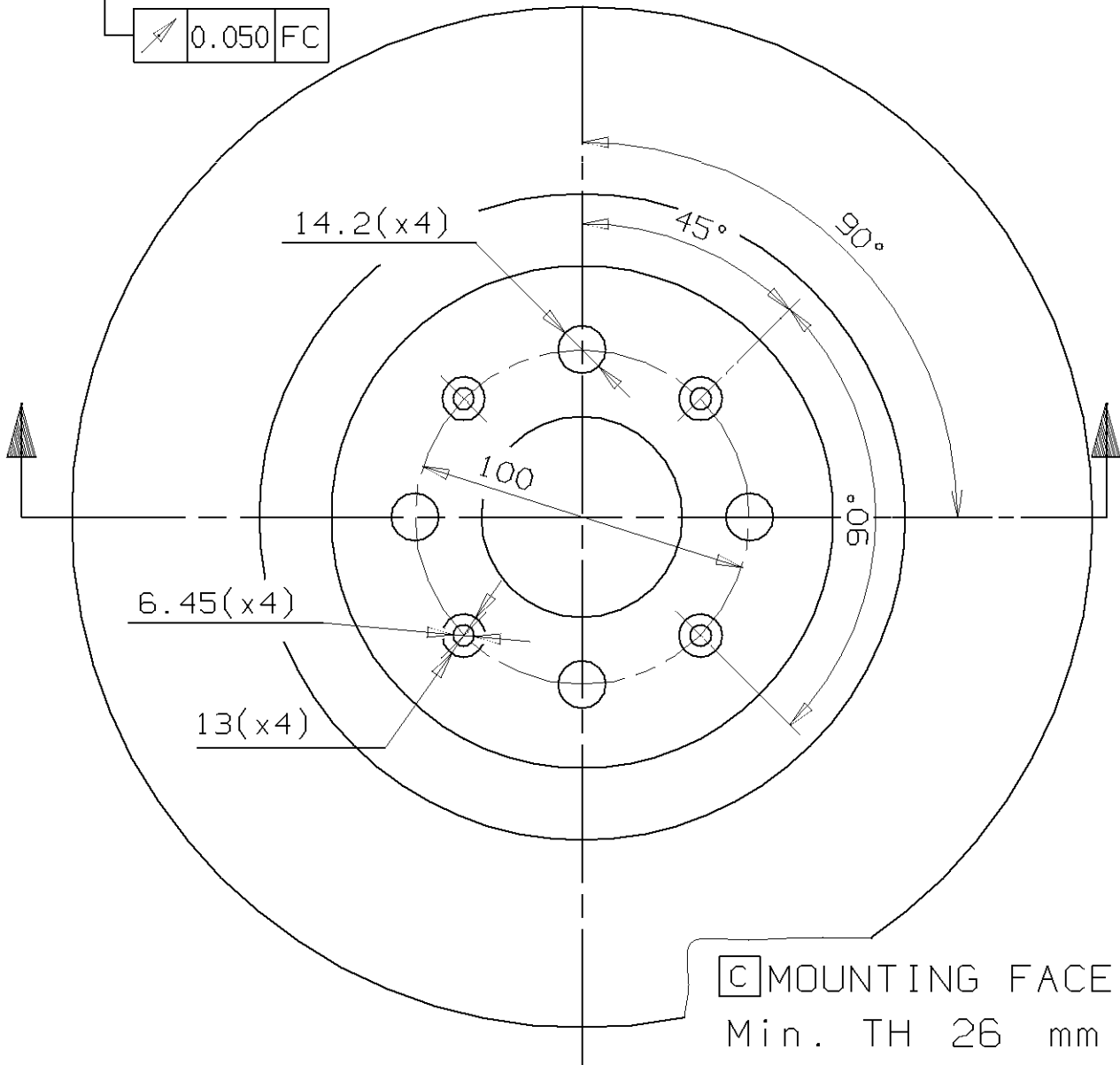


$\nabla 0.050 \text{ FC}$



C MOUNTING FACE
 Min. TH 26 mm
 Weight 8 Kg

Type DA