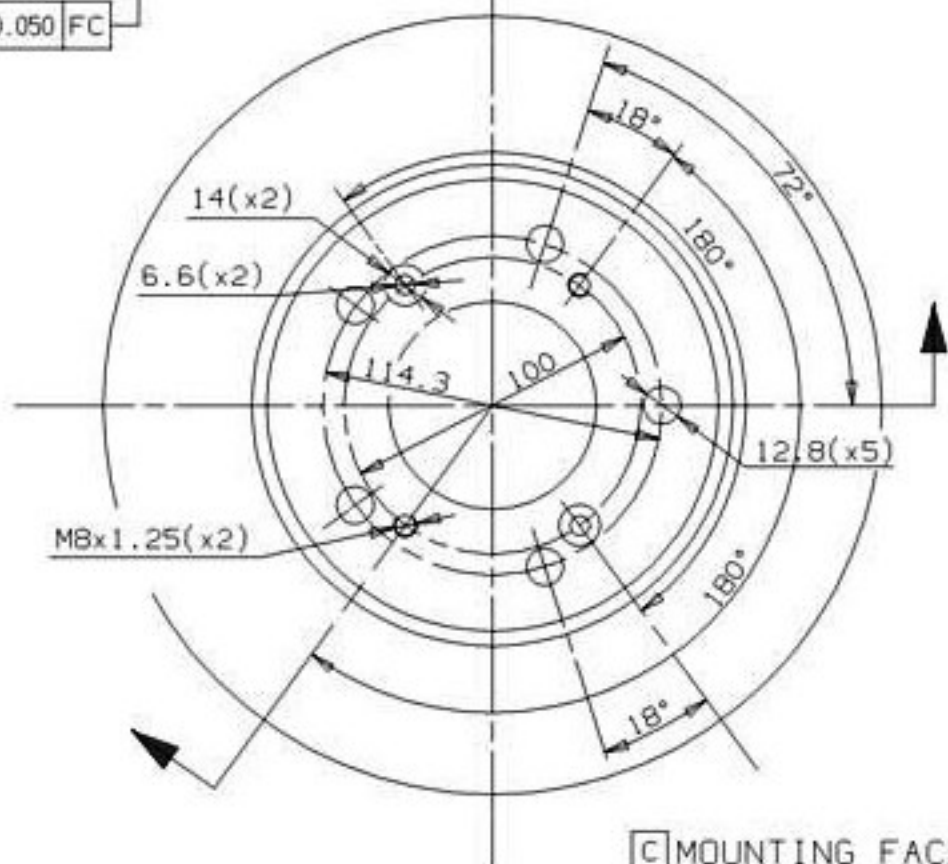


∇	0.050	FC
----------	-------	----



[C] MOUNTING FACE

Min. TH 19 mm

Weight 5.3 Kg

Type DA