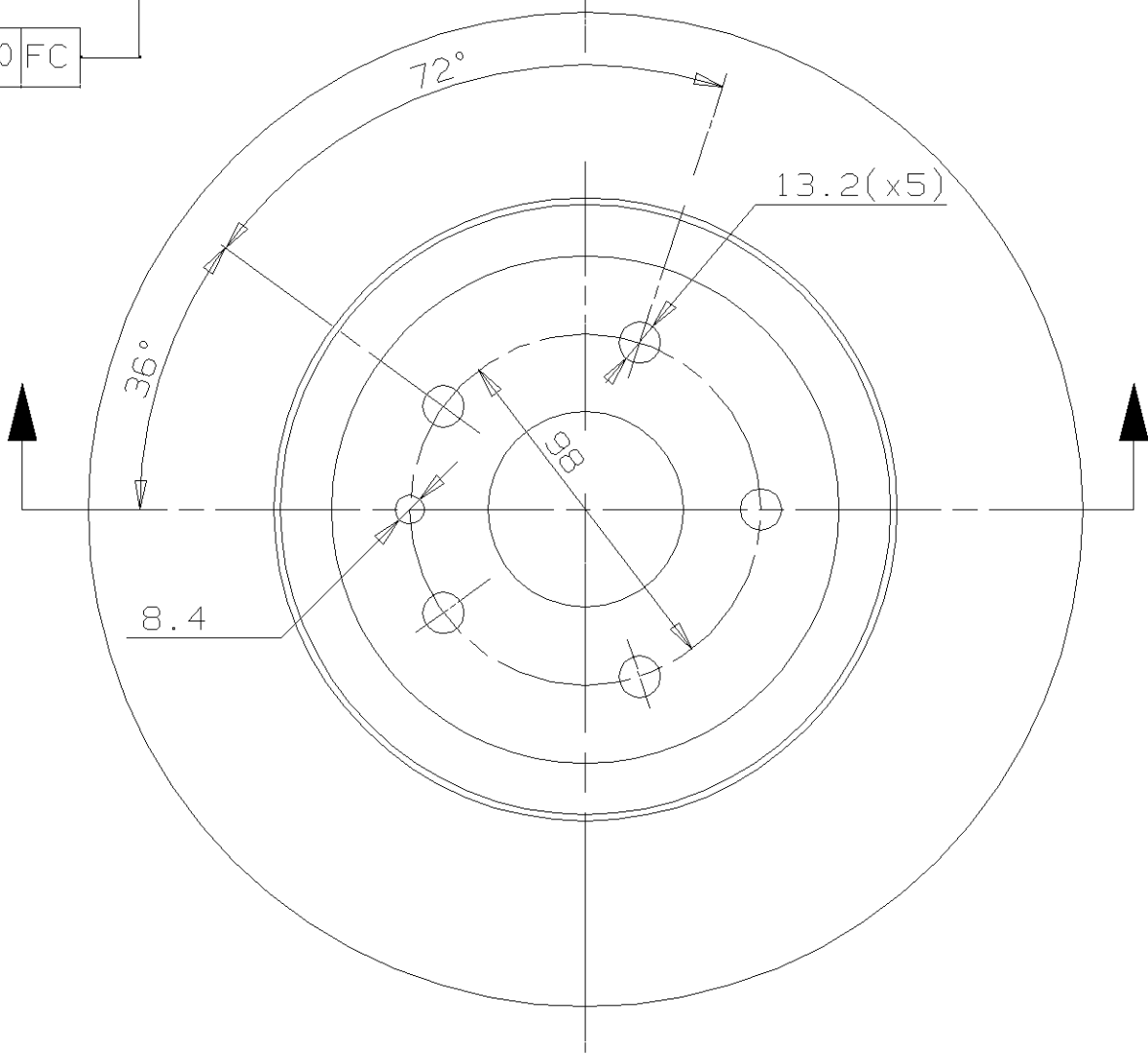


Surface finish symbol: 0.050 FC



[C] MOUNTING FACE
 Min. TH 24.2mm
 Weight 7.0 Kg

Type DA