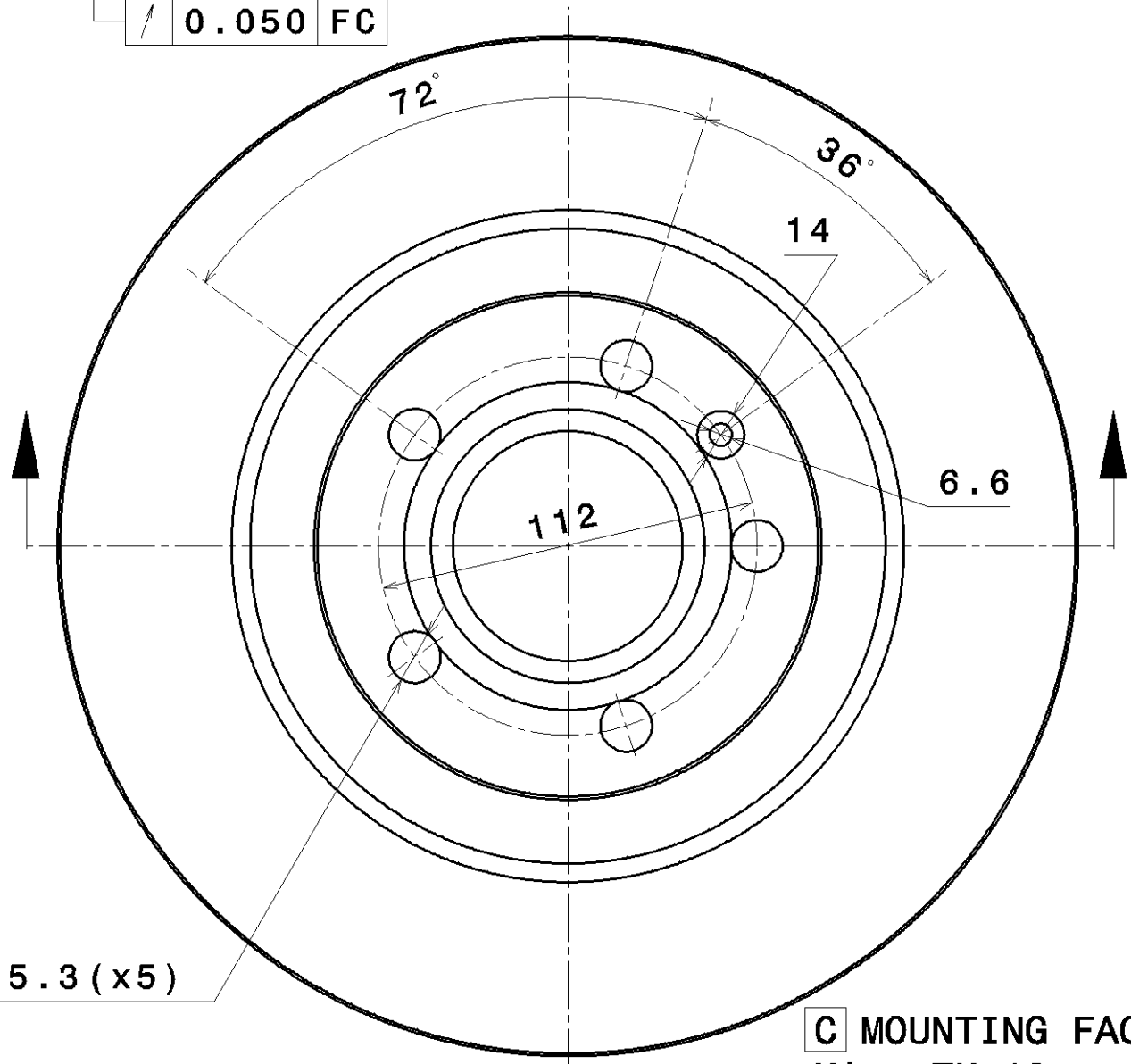


$\sqrt{\text{ / 0.050 FC}}$



C MOUNTING FACE

Min. TH 10 mm

Weight 5.2 Kg

Type DP