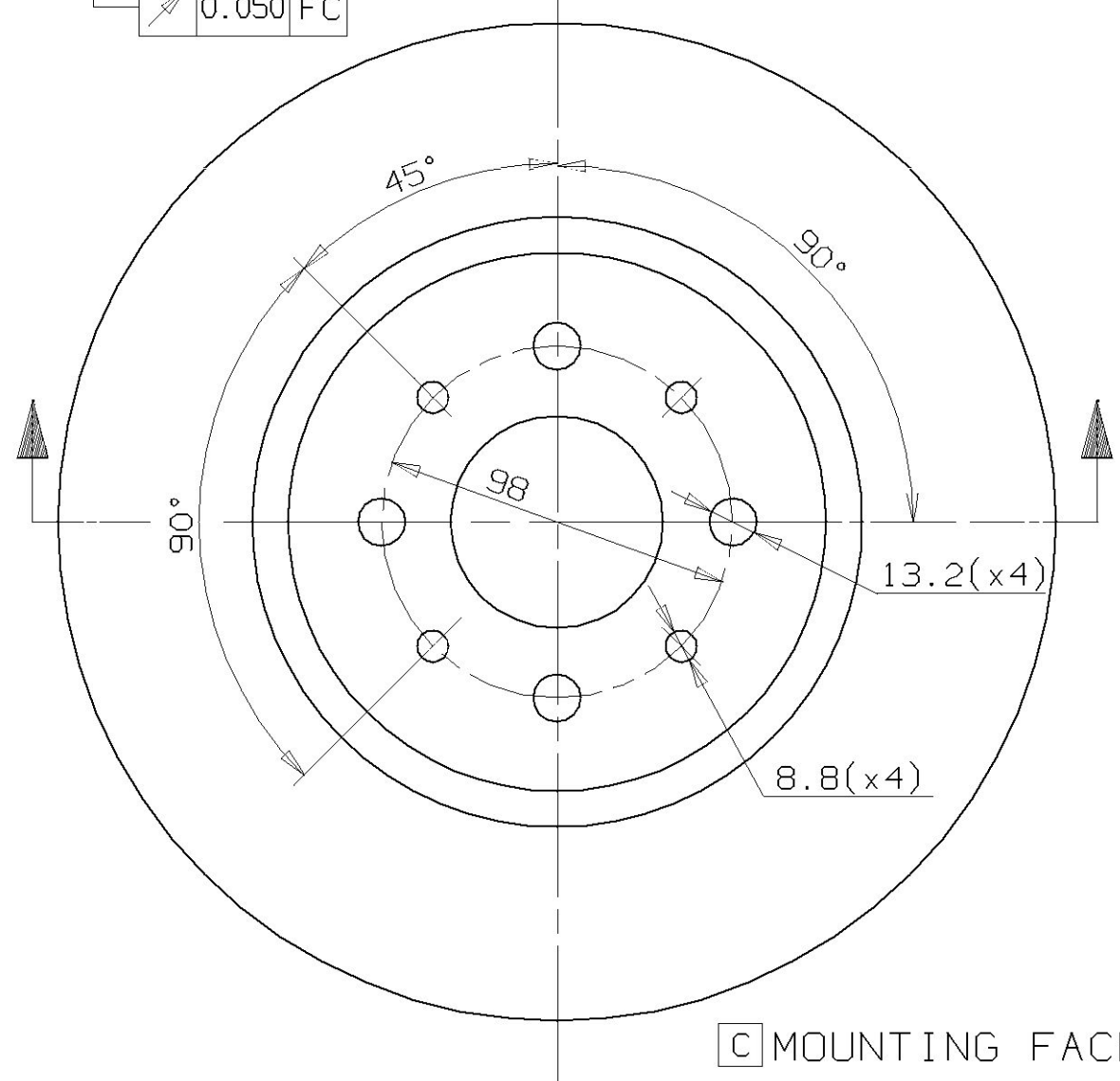


0.050 FC



[C] MOUNTING FACE  
 Min. TH 10 mm  
 Weight 5 Kg

Type DP