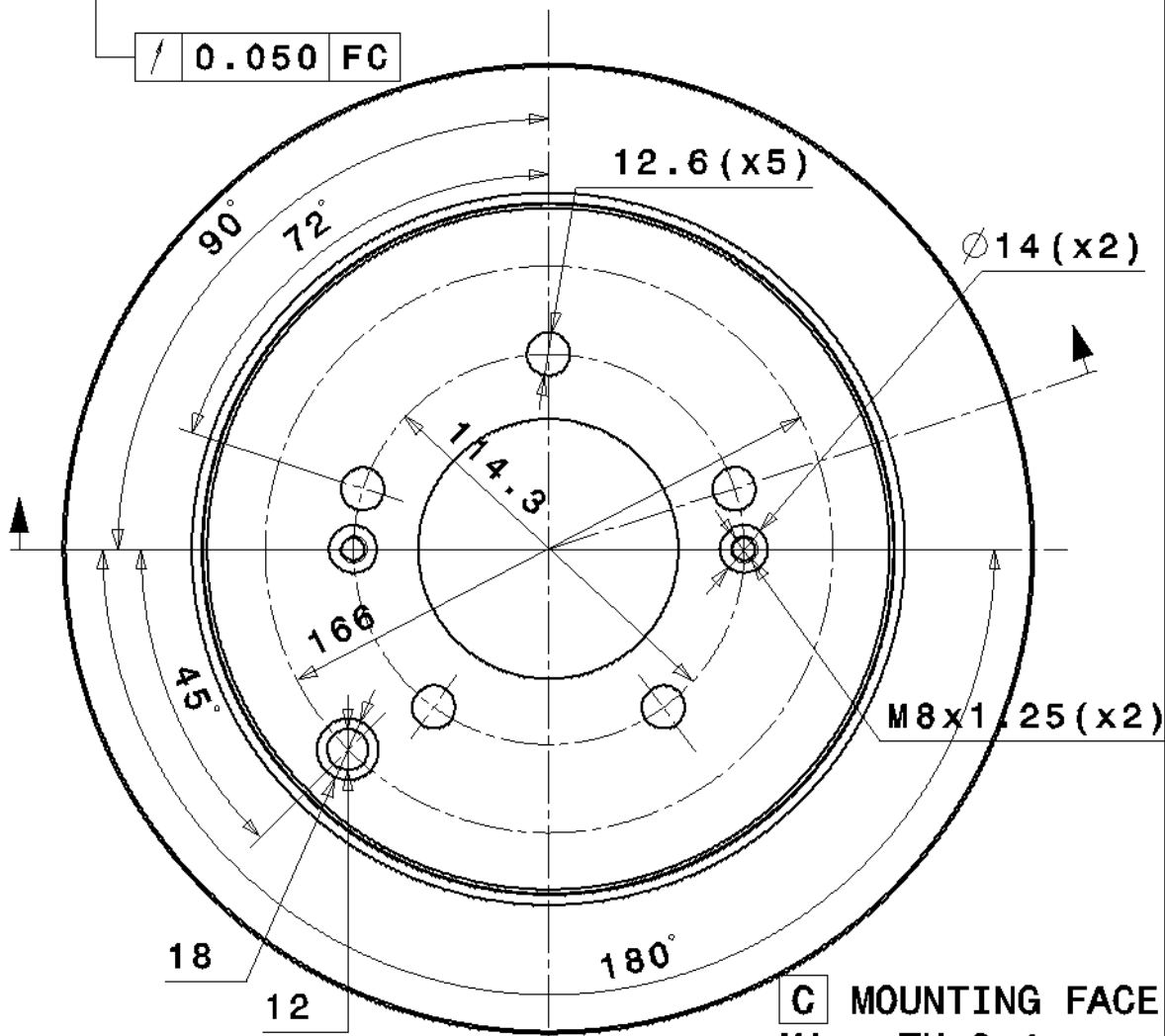


/ 0.050 FC



C MOUNTING FACE
 Min. TH 8.4 mm
 Weight 4.8 Kg

Type DP