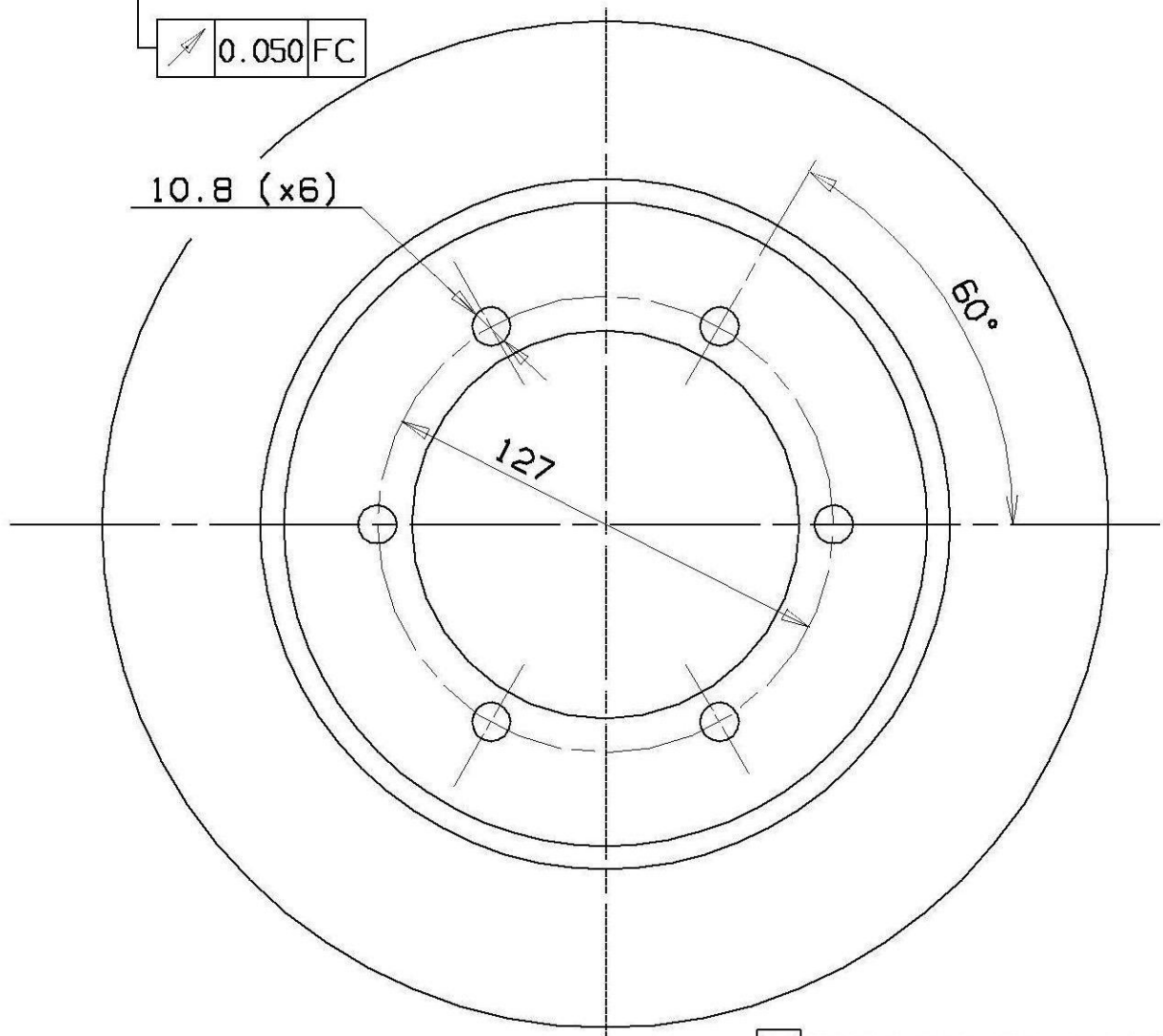


0.050 FC



MOUNTING FACE

Min. TH 13 mm

Weight 7 Kg

Type DP