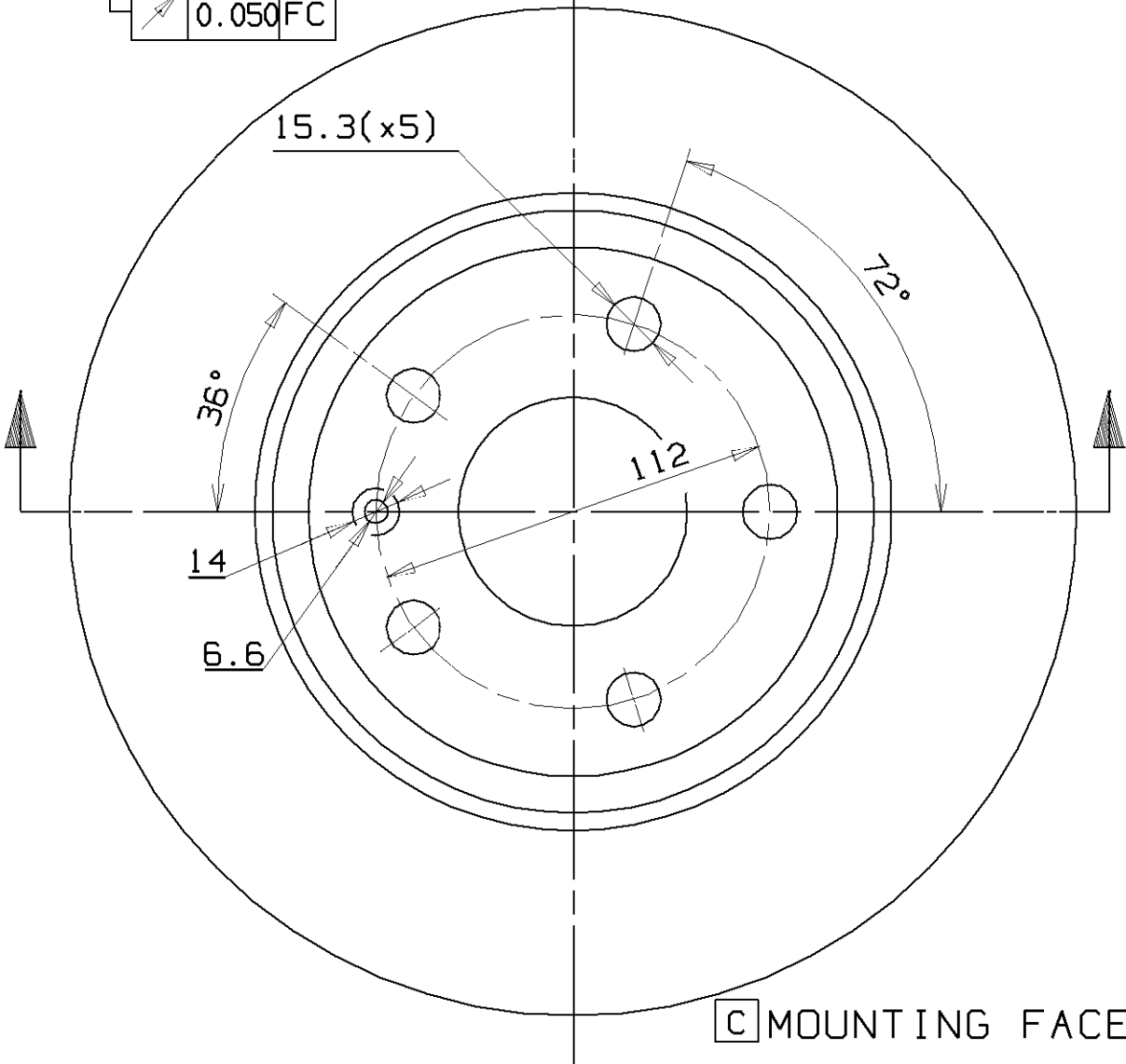


0.050FC



**C** MOUNTING FACE

Min. TH 10 mm

Weight 5.1 Kg

Type DP