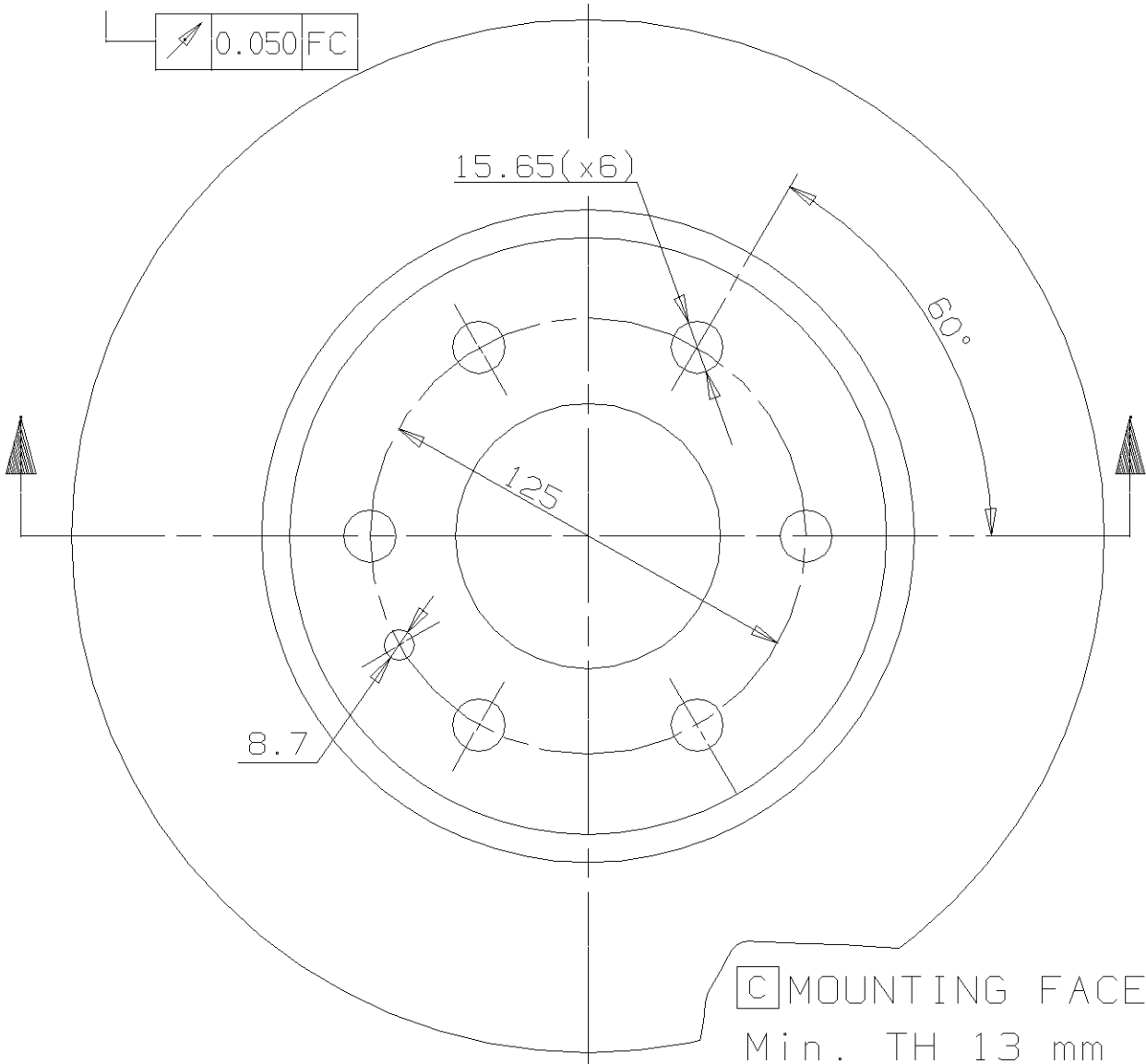


0.050 FC



MOUNTING FACE
 Min. TH 13 mm
 Weight 8.6 Kg

Type DP