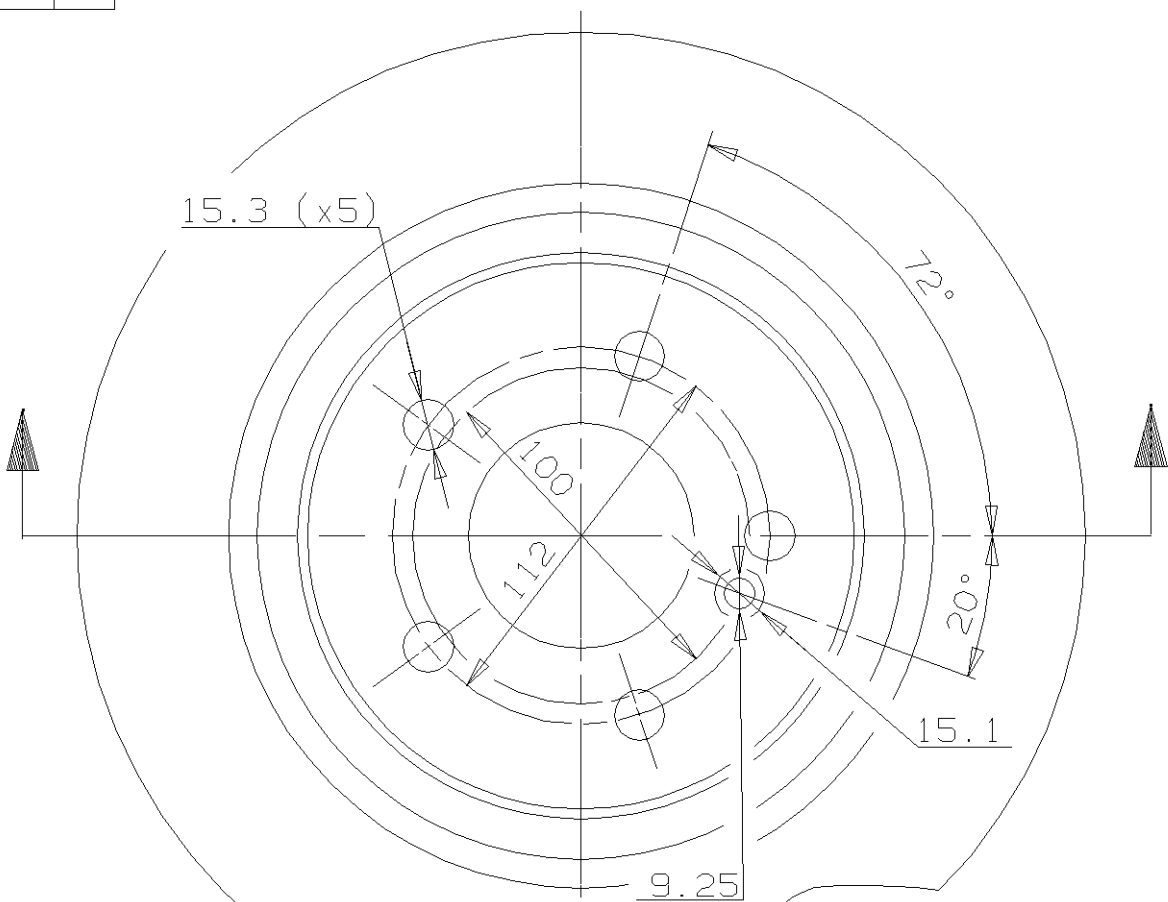


0.080 FC



C MOUNTING FACE
 Min. TH 9.3 mm
 Weight 5.1 Kg

Type DP