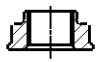
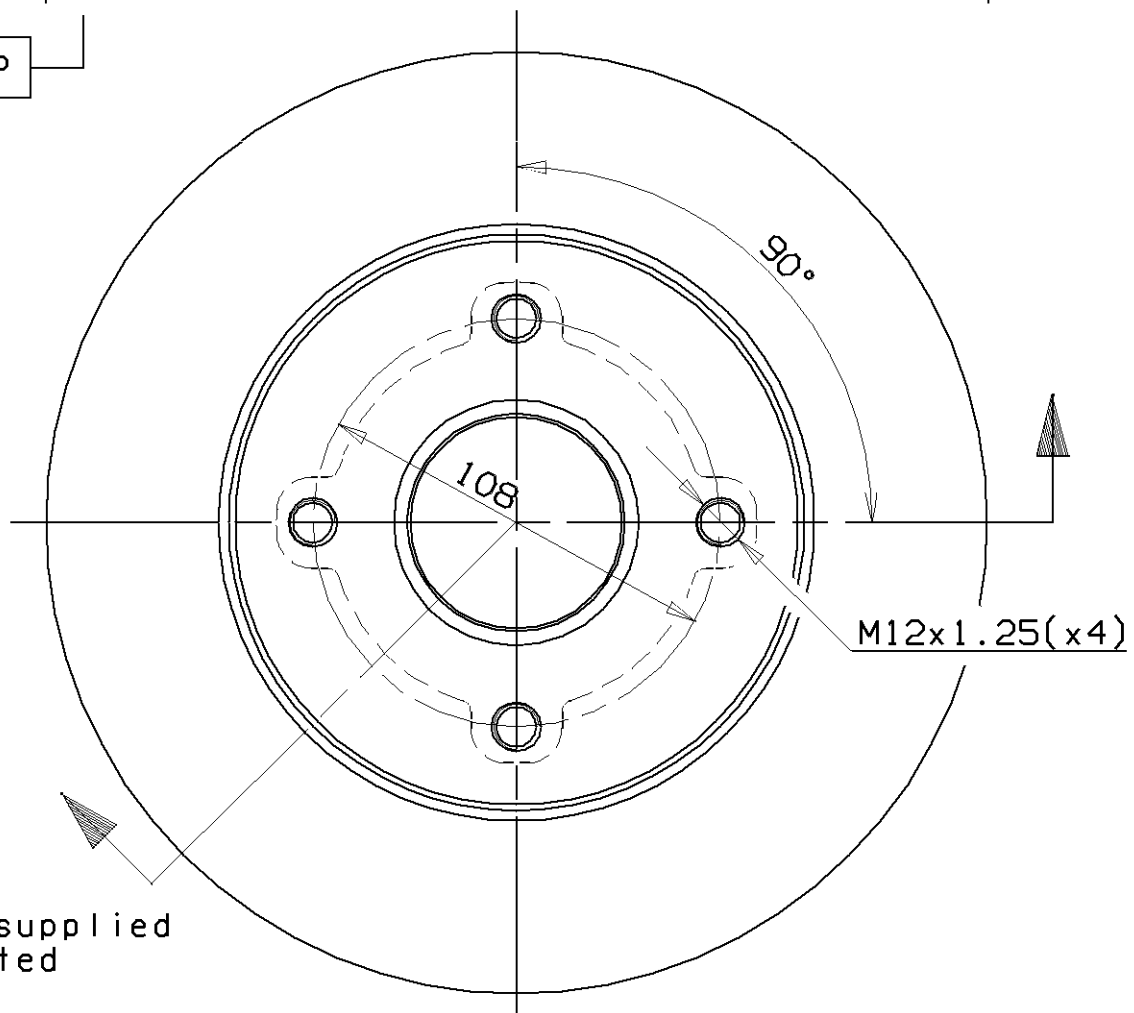
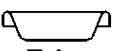


0.070 P



1 Piece supplied  
not mounted



1 Piece supplied  
not mounted

Brake disc assembled  
Type DP

Min. TH 7 mm  
Weight 5.1 Kg