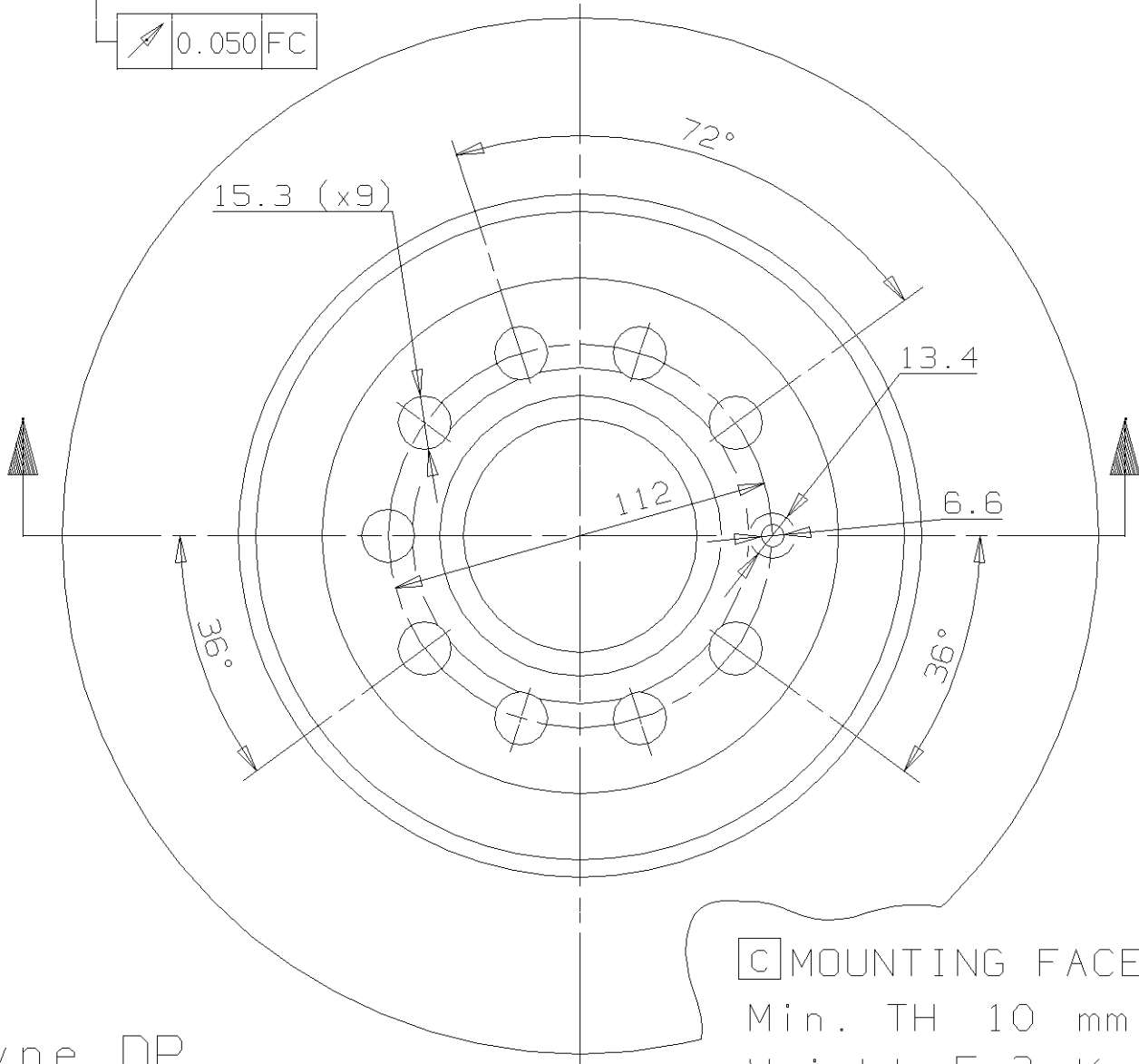


0.050 FC



C MOUNTING FACE
 Min. TH 10 mm
 Weight 5.3 Kg

Type DP