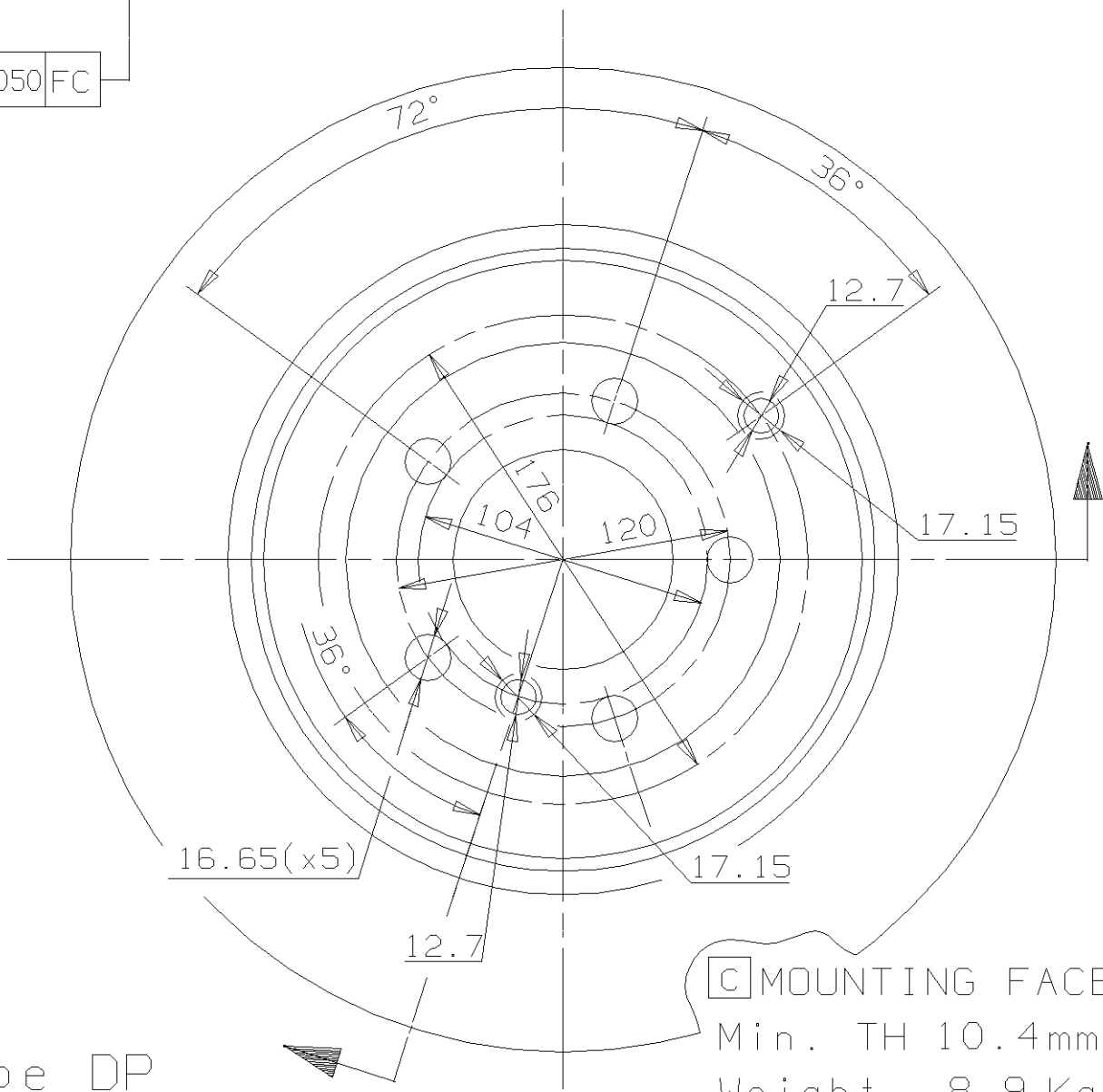


0.050 FC



[C] MOUNTING FACE  
 Min. TH 10.4mm  
 Weight 8.9 Kg

Type DP