



MEYLE[®]
Products

MEYLE No.

16-16 031 0016/HD

Reference No.

6025370493*
6025370494*

*MEYLE:
axial rod only



Axial rod to fit Renault Avantime, Espace



as OE



Problem

- Intense strain and high surface pressure wears on the ball joint (head diameter 25mm)
- Premature wear

Effect

- Noise and play in the steering
- Impaired driving safety



Solution

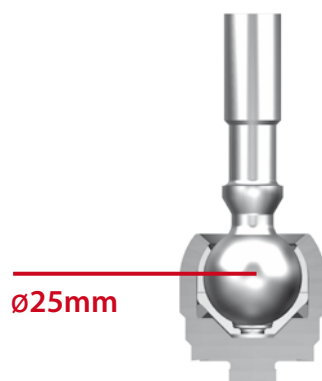


- Increased diameter of the ball head of the axial rod to 26 mm

Advantage

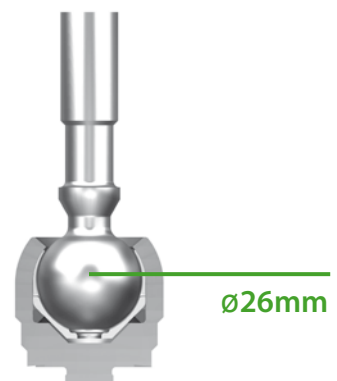
Reduction of the surface pressure ensures a significant longer lifetime

as OE



ø25mm

MEYLE-HD-version



ø26mm