



Service information

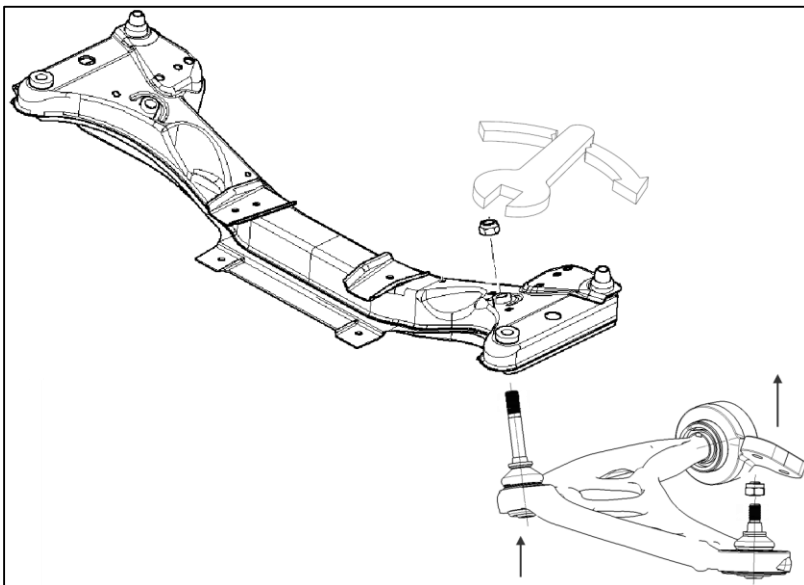
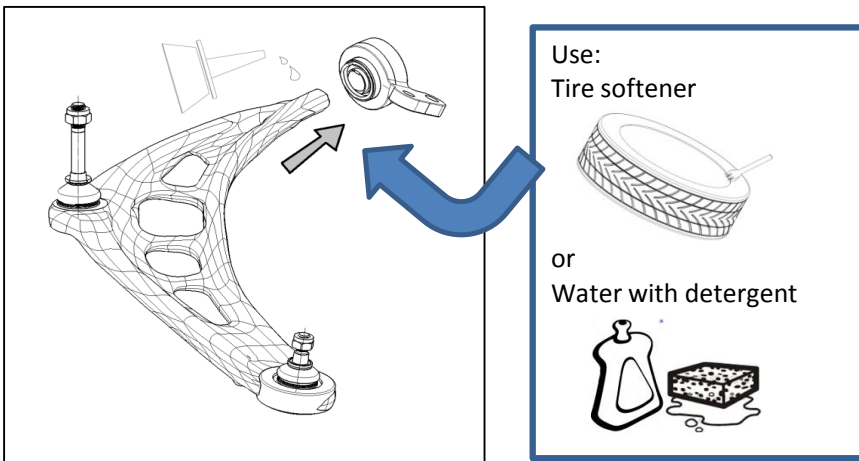


! Avoid early wearing of the silent blocks by following the correct placement procedure !

This remark is valid for following Sidem parts:

21278 R / 21279 R / 21674 R / 21675 R

Always replace silentblock(s)! (821628)
Replace both arms when improved version is installed!



1. moisture pin and mount in silent block
2. fix arm

!When not applied, risk of loss guarantee!