



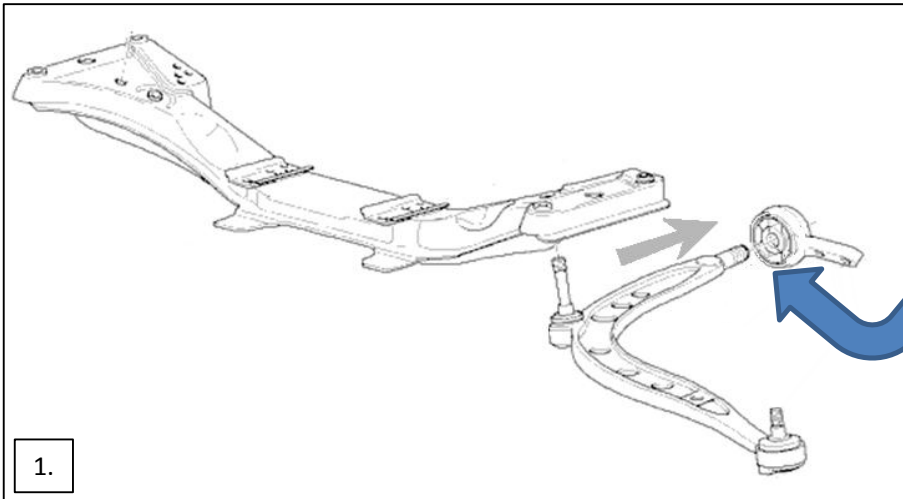
Service information

! Avoid early wearing of the silent blocks by following the correct placement procedure !

This remark is valid for following Sidem parts:

21370 R / 21371 R / 21972 R / 21973 R

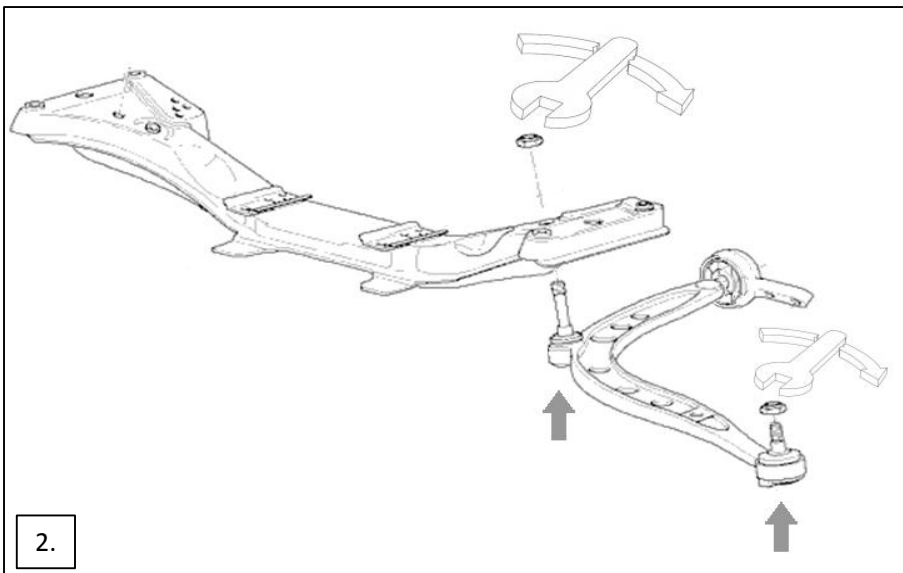
**Always replace silent block(s)! (821636 - 821637)
Replace both arms when improved version is installed!**



Use:
Tire softener



or
Water with detergent



1. Moisture pin and mount in silent block
2. fix arm

!When not applied, risk of loss guarantee!